

CONTEG

Industrial enclosures



INTEG

INDUSTRIAL • INNOVATIVE • INDIVIDUAL • INSPIRING

Product Catalog






Content

inTEG Industrial Enclosures and their Uses	3
inTEG Free-standing Enclosures – Advantages and Specifications	4
<i>Free-standing Enclosures – Sheet Steel</i>	6
<i>Accessories</i>	9
inTEG Compact Enclosures – Advantages and Specifications	15
<i>Compact Enclosures – Sheet Steel</i>	17
<i>Compact Enclosures – Glazed Doors</i>	20
<i>Compact Enclosures – Stainless Steel</i>	23
<i>Compact Enclosures – Outdoor</i>	25
<i>Accessories</i>	27
Safety Warning Signs	33
Climate Control Solutions	34
Technical Drawings	35
Heating Dissipation	45



inTEG Industrial Enclosures and their Uses

Conteg offers a complete range of inTEG industrial enclosures, which meet all requirements, even for applications in the most demanding industrial environments. In our portfolio you can find everything from compact sheet steel enclosures to free-standing enclosures suitable for baying in a row. You can choose among many different sizes and four types of materials, depending on the area of the application. Both enclosure series provide a high degree of protection. inTEG industrial enclosures are produced in our modern production plant in Pelhřimov (Czech Republic) using the latest technological processes, which ensure first-class operation, mechanical resistance and durability.

	Free-Standing Enclosures		Compact Enclosures		
Type	Sheet steel enclosure 	Sheet steel enclosure 	Stainless steel enclosure 	Enclosures with glazed door 	Outdoor enclosure 
Usage	Internal installation	Internal installation	Internal installation Outdoor installation Food and chemical industry	Internal installation	Outdoor installation
Material	Sheet steel	Sheet steel	Stainless steel 1.4301 (AISI 304) Stainless steel 1.4404 (AISI 316L)	Sheet steel with glazed door	Stainless steel
Door type	Single-door Double-door	Single-door Double-door	Single-door Double-door	Single-door Double-door	Single-door
IP rating	IP55	IP66 IP55	IP66 IP55	IP66 IP55	IP66
Mechanical resistance	IK10	IK10	IK10	IK10 IK8	IK10
Color	RAL7035	RAL7035	-	RAL7035	RAL7035
Surface	Powder coating	Powder coating	Brushed	Powder coating	Powder coating with UV protection



Our products have many applications in the fields of measurement and control, automation, control machines and devices requiring temperature regulation inside cabinets. We compute the power necessary for heating/cooling in order to maintain a stable thermal comfort level for components within enclosures, and can recommend a suitable type of cooling.

- Wall-mounted and top-mounted air-conditioning units – cooling capacity from 200 W to 4000 W
- Thermo-electric units – cooling capacity and thermal output 200 W
- Filter fans – air flow from 10 to 710 m³/h
- Heaters – thermal output 45 to 400 W

inTEG Free-standing Enclosures

inTEG Free-Standing Enclosures are our key product, completing our existing industrial applications portfolio. The welded enclosure frame has a special profile (electrolytic galvanized material DC1+ZE25/25APC) that has been cold-rolled. The technological process of production, along with the patented shape of the profile, meets the enclosure's high rigidity and load capacity requirements. inTEG enclosures can be used without additional base/plinths, thanks to their bottom-frame design. Our solution does not reduce the space for inner installation. To create different mounting levels, we offer a wide range of system accessories designed for the optimal utilization of the profile frame. We also recommend our climate control solutions, ranging from heaters and filter fans to air-conditioning units.

MAIN ADVANTAGES

- Welded frame – uprights are made from unique cold-rolled profile – surface finish powder coating
- Closed rolled profile is made of galvanized sheet steel and is laser-welded
- Load capacity 1500 kg
- Single-door and double-door enclosures
- Possibility of using the enclosure without additional base/plinth
- Lift-up handle is standard for all enclosures
- Designed door closes easily thanks to special locking system
- Maximum use of inner space – possibility of placing mounting plate between rear uprights
- Easy side panel assembly due to hanging on the frame
- Possibility of baying in a row
- 46 dimensions from 1800x400x500 mm up to 2200x1200x800 mm
- Wide range of accessories

TECHNICAL SPECIFICATIONS

- Compliant with EN 62208
- IP55 dust and water protection
- Mechanical resistance IK10
- Standard color RAL7035 (other colors available upon request)
- PUR non-porous gaskets on all parts
- Simple change of door from right to left
- Door opens at 135° angle
- Heating dissipation (see page 50)





Welded-frame construction – maximum use of interior space thanks to narrow profile



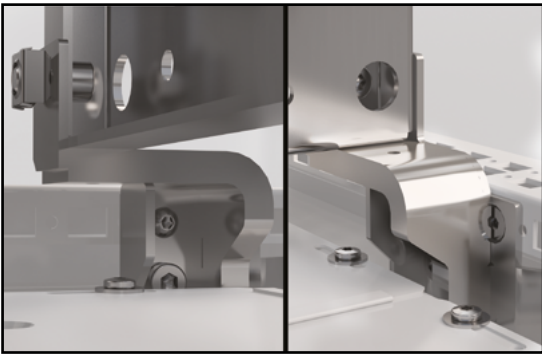
Designed lift-up handle standard for all enclosures



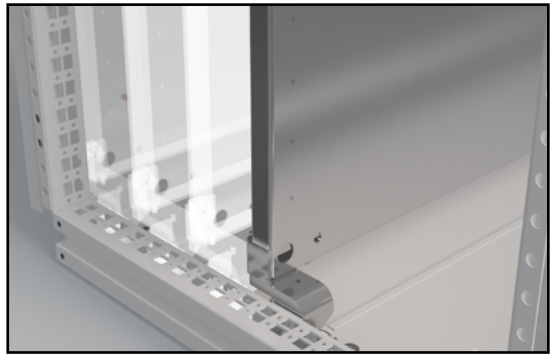
50 mm space from the ground to the bottom edge of the door allows for installation without the need of additional plinth, thanks to a specially designed bottom frame. This solution does not reduce the space for internal installation.



Removable eye bolts and specially designed brackets allow for transport of bayed enclosures



Special mounting plate brackets allow for smooth insertion into the correct position



Maximum use of interior space – possibility of placing the mounting plate between rear uprights

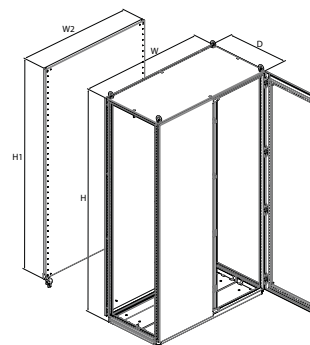
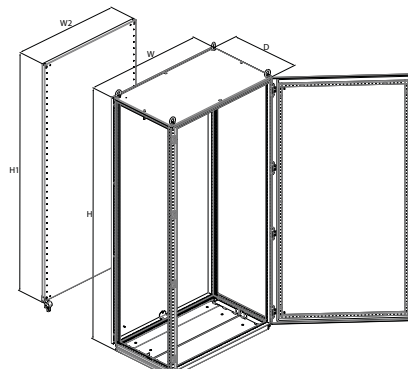


Door closes easily due to special locking system.



Wide range of system rails creates additional mounting levels for individual installation.

Free-Standing Enclosures – Sheet Steel



Package includes:

- Welded enclosure frame
- Single/ double door with lift-up handle and 4-point locking system
- Hinges on right side for single door enclosure (easily changed to a right- or left-hand mounting)
- Rear and top panel
- Multipart gland plate
- Mounting plate with raster
- Eye bolts

Specifications:

- Material:
 - Frame: zinc-plated sheet steel
 - Enclosure: sheet steel
 - Mounting plate: zinc-plated sheet steel
- Enclosure surface finish: epoxypolyester-powder coat
- Color: RAL7035 for indoor use only
- Protection degree: IP55 according to EN 60 529*
- Mechanical protection: IK10 according to IEC 62262

For detailed technical information see pages 45 – 46.

*IP protection may be changed by installing some accessories

Free-Standing Enclosure, height 1800 mm										
Enclosure	H (mm)	1800	1800	1800	1800	1800	1800	1800	1800	1800
	W (mm)	400	400	600	600	600	800	800	800	800
	D (mm)	500	600	400	500	600	400	500	500	600
Mounting plate	H1 (mm)	1691	1691	1691	1691	1691	1691	1691	1691	1691
	W2 (mm)	297	297	497	497	497	697	697	697	697
Material thickness in mm	Rear and top panel	1,5	1,5	1,5	1,5	1,5	1,5	1,5	1,5	1,5
	Door	2	2	2	2	2	2	2	2	2
	Mounting plate	3	3	3	3	3	3	3	3	3
Door		1	1	1	1	1	1	1	2	1
Gland plate, quantity		2	3	2	2	3	2	2	2	3
Weight in kg		71,2	72,1	91,2	92,3	95,9	112,3	115,7	118,1	120,5
Order code	1 pc	FSE-180405	FSE-180406	FSE-180604	FSE-180605	FSE-180606	FSE-180804	FSE-180805	FSE-280805	FSE-180806
Accessories										
Side panels	1 set	ID-F-S1805	ID-F-S1806	ID-F-S1804	ID-F-S1805	ID-F-S1806	ID-F-S1804	ID-F-S1805	ID-F-S1805	ID-F-S1806
Baying kit	1 set	ID-F-ROW	ID-F-ROW	ID-F-ROW	ID-F-ROW	ID-F-ROW	ID-F-ROW	ID-F-ROW	ID-F-ROW	ID-F-ROW
Plinth 100 mm	Front and rear	ID-F-PF04	ID-F-PF04	ID-F-PF06	ID-F-PF06	ID-F-PF06	ID-F-PF08	ID-F-PF08	ID-F-PF08	ID-F-PF08
	Sides	ID-F-PS05	ID-F-PS06	ID-F-PS04	ID-F-PS05	ID-F-PS06	ID-F-PS04	ID-F-PS05	ID-F-PS05	ID-F-PS06
Plinth 200 mm	Front and rear	ID-F-PF0402	ID-F-PF0402	ID-F-PF0602	ID-F-PF0602	ID-F-PF0602	ID-F-PF0802	ID-F-PF0802	ID-F-PF0802	ID-F-PF0802
	Sides	ID-F-PS0502	ID-F-PS0602	ID-F-PS0402	ID-F-PS0502	ID-F-PS0602	ID-F-PS0402	ID-F-PS0502	ID-F-PS0502	ID-F-PS0602
Mounting rails	1 set									see page 10

To order an enclosure without a mounting plate, use order code FSE-xxxxxx-01

Free-Standing Enclosure, height 1800 mm									
Enclosure	H (mm)	1800	1800	1800	1800	1800	1800	1800	1800
	W (mm)	800	1000	1000	1000	1000	1200	1200	1200
	D (mm)	600	400	400	500	600	400	500	600
Mounting plate	H1 (mm)	1691	1691	1691	1691	1691	1691	1691	1691
	W2 (mm)	697	897	897	897	897	1097	1097	1097
Material thickness in mm	Rear and top panel	1,5	1,5	1,5	1,5	1,5	1,5	1,5	1,5
	Door	2	2	2	2	2	2	2	2
	Mounting plate	3	3	3	3	3	3	3	3
Door		2	1	2	1	1	2	2	2
Gland plate, quantity		3	2	2	2	3	4	4	6
Weight in kg		123,9	138,9	142,3	139,8	140,8	166,2	167,2	168,2
Order code	1 pc	FSE-280806	FSE-181004	FSE-281004	FSE-181005	FSE-181006	FSE-281204	FSE-281205	FSE-281206
Accessories									
Side panels	1 set	ID-F-S1806	ID-F-S1804	ID-F-S1804	ID-F-S1805	ID-F-S1806	ID-F-S1804	ID-F-S1805	ID-F-S1806
Baying kit	1 set	ID-F-ROW	ID-F-ROW	ID-F-ROW	ID-F-ROW	ID-F-ROW	ID-F-ROW	ID-F-ROW	ID-F-ROW
Plinth 100 mm	Front and rear	1 set	ID-F-PF08	ID-F-PF10	ID-F-PF10	ID-F-PF10	ID-F-PF10	ID-F-PF12	ID-F-PF12
	Sides		ID-F-PS06	ID-F-PS04	ID-F-PS04	ID-F-PS05	ID-F-PS06	ID-F-PS04	ID-F-PS05
Plinth 200 mm	Front and rear	1 set	ID-F-PF0802	ID-F-PF1002	ID-F-PF1002	ID-F-PF1002	ID-F-PF1002	ID-F-PF12	ID-F-PF12
	Sides		ID-F-PS0602	ID-F-PS0402	ID-F-PS0402	ID-F-PS0502	ID-F-PS0602	ID-F-PS0402	ID-F-PS0502
Mounting rails	1 set	see page 10							

To order an enclosure without a mounting plate, use order code FSE-xxxxxx-01

Free-Standing Enclosure, height 2000 mm									
Enclosure	H (mm)	2000	2000	2000	2000	2000	2000	2000	2000
	W (mm)	400	400	600	600	600	600	800	800
	D (mm)	500	600	400	500	600	600	800	400
Mounting plate	H1 (mm)	1891	1891	1891	1891	1891	1891	1891	1891
	W2 (mm)	297	297	497	497	497	497	497	697
Material thickness in mm	Rear and top panel	1,5	1,5	1,5	1,5	1,5	1,5	1,5	1,5
	Door	2	2	2	2	2	2	2	2
	Mounting plate	3	3	3	3	3	3	3	3
Door		1	1	1	1	1	1	1	1
Gland plate, quantity		2	3	2	2	3	4	4	2
Weight in kg		76,5	77,9	99,4	101,1	102,8	106,4	106,4	123,6
Order code	1 pc	FSE-200405	FSE-200406	FSE-200604	FSE-200605	FSE-200606	FSE-200608	FSE-200608	FSE-200804
Accessories									
Side panels	1 set	ID-F-S2005	ID-F-S2006	ID-F-S2004	ID-F-S2005	ID-F-S2006	ID-F-S2008	ID-F-S2008	ID-F-S2004
Baying kit	1 set	ID-F-ROW	ID-F-ROW	ID-F-ROW	ID-F-ROW	ID-F-ROW	ID-F-ROW	ID-F-ROW	ID-F-ROW
Plinth 100 mm	Front and rear	1 set	ID-F-PF04	ID-F-PF04	ID-F-PF06	ID-F-PF06	ID-F-PF06	ID-F-PF06	ID-F-PF08
	Sides		ID-F-PS05	ID-F-PS06	ID-F-PS04	ID-F-PS05	ID-F-PS06	ID-F-PS08	ID-F-PS04
Plinth 200 mm	Front and rear	1 set	ID-F-PF0402	ID-F-PF0402	ID-F-PF0602	ID-F-PF0602	ID-F-PF0602	ID-F-PF0602	ID-F-PF0802
	Sides		ID-F-PS0502	ID-F-PS0602	ID-F-PS0402	ID-F-PS0502	ID-F-PS0602	ID-F-PS0802	ID-F-PS0402
Mounting rails		see page 10							

To order an enclosure without a mounting plate, use order code FSE-xxxxxx-01

Free-Standing Enclosure, height 2000 mm									
Enclosure	H (mm)	2000	2000	2000	2000	2000	2000	2000	2000
	W (mm)	800	800	800	1000	1000	1000	1000	1000
	D (mm)	500	600	800	400	400	400	500	500
Mounting plate	H1 (mm)	1891	1891	1891	1891	1891	1891	1891	1891
	W2 (mm)	697	697	697	897	897	897	897	897
Material thickness in mm	Rear and top panel	1,5	1,5	1,5	1,5	1,5	1,5	1,5	1,5
	Door	2	2	2	2	2	2	2	2
	Mounting plate	3	3	3	3	3	3	3	3
Door		1	1	1	1	2	1	1	2
Gland plate, quantity		2	3	4	2	2	2	2	2
Weight in kg		125,5	127	131,5	144,4	148,9	148,4	148,4	154,5
Order code	1 pc	FSE-200805	FSE-200806	FSE-200808	FSE-201004	FSE-301004	FSE-201005	FSE-201005	FSE-301005
Accessories									
Side panels	1 set	ID-F-S2005	ID-F-S2006	ID-F-S2008	ID-F-S2004	ID-F-S2004	ID-F-S2005	ID-F-S2005	ID-F-S2005
Baying kit	1 set	ID-F-ROW	ID-F-ROW	ID-F-ROW	ID-F-ROW	ID-F-ROW	ID-F-ROW	ID-F-ROW	ID-F-ROW
Plinth 100 mm	Front and rear	1 set	ID-F-PF08	ID-F-PF08	ID-F-PF08	ID-F-PF10	ID-F-PF10	ID-F-PF10	ID-F-PF10
	Sides		ID-F-PS05	ID-F-PS06	ID-F-PS08	ID-F-PS04	ID-F-PS04	ID-F-PS05	ID-F-PS05
Plinth 200 mm	Front and rear	1 set	ID-F-PF0802	ID-F-PF0802	ID-F-PF0802	ID-F-PF1002	ID-F-PF1002	ID-F-PF1002	ID-F-PF1002
	Sides		ID-F-PS0502	ID-F-PS0602	ID-F-PS0802	ID-F-PS0402	ID-F-PS0402	ID-F-PS0502	ID-F-PS0502
Mounting rails		see page 10							

To order an enclosure without a mounting plate, use order code FSE-xxxxxx-01

Free-Standing Enclosure, height 2000 mm

Enclosure	H (mm)	2000	2000	2000	2000	2000	2000	2000	
	W (mm)	1000	1000	1000	1200	1200	1200	1200	
	D (mm)	600	600	800	400	500	600	800	
Mounting plate	H1 (mm)	1891	1891	1891	1891	1891	1891	1891	
	W2 (mm)	897	897	897	1097	1097	1097	1097	
Material thickness in mm	Rear and top pane	1,5	1,5	1,5	1,5	1,5	1,5	1,5	
	Door	2	2	2	2	2	2	2	
	Mounting plate	3	3	3	3	3	3	3	
Door		1	2	1	2	2	2	2	
Gland plate, quantity		3	3	4	4	4	6	8	
Weight in kg		153,3	159,8	157,8	140,9	177,2	183,2	200,2	
Order code	1 pc	FSE-201006	FSE-301006	FSE-201008	FSE-301204	FSE-301205	FSE-301206	FSE-301208	
Accessories									
Side panels	1 set	ID-F-S2006	ID-F-S2006	ID-F-S2008	ID-F-S2004	ID-F-S2005	ID-F-S2006	ID-F-S2008	
Baying kit	1 set	ID-F-ROW	ID-F-ROW	ID-F-ROW	ID-F-ROW	ID-F-ROW	ID-F-ROW	ID-F-ROW	
Plinth 100 mm	Front and rear	1 set	ID-F-PF10	ID-F-PF10	ID-F-PF10	ID-F-PF12	ID-F-PF12	ID-F-PF12	
	Sides		ID-F-PS06	ID-F-PS06	ID-F-PS08	ID-F-PS04	ID-F-PS05	ID-F-PS06	ID-F-PS08
Plinth 200 mm	Front and rear	1 set	ID-F-PF1002	ID-F-PF1002	ID-F-PF1002	ID-F-PF12	ID-F-PF12	ID-F-PF1202	
	Sides		ID-F-PS0602	ID-F-PS0602	ID-F-PS0802	ID-F-PS0402	ID-F-PS0502	ID-F-PS0602	ID-F-PS0802
Mounting rails	1 set	see page 10							

To order an enclosure without a mounting plate, use order code FSE-xxxxxx-01

Free-Standing Enclosure, height 2200 mm

Enclosure	H (mm)	2200	2200	2200	2200	2200	2200	2200	
	W (mm)	400	600	600	800	800	1000	1200	
	D (mm)	600	600	800	600	800	600	600	
Mounting plate	H1 (mm)	2091	2091	2091	2091	2091	2091	2091	
	W2 (mm)	297	497	497	697	697	897	1097	
Material thickness in mm	Rear and top panel	1,5	1,5	1,5	1,5	1,5	1,5	1,5	
	Door	2	2	2	2	2	2	2	
	Mounting plate	3	3	3	3	3	3	3	
Door		1	1	1	1	1	1	2	
Gland plate, quantity		3	3	4	3	4	3	6	
Weight in kg		81,5	108,2	112,5	134,9	139,9	161,5	198,2	
Order code	1 pc	FSE-220406	FSE-220606	FSE-220608	FSE-220806	FSE-220808	FSE-221006	FSE-321206	
Accessories									
Side panels	1 set	ID-F-S2206	ID-F-S2206	ID-F-S2208	ID-F-S2206	ID-F-S2208	ID-F-S2206	ID-F-S2206	
Baying kit	1 set	ID-F-ROW	ID-F-ROW	ID-F-ROW	ID-F-ROW	ID-F-ROW	ID-F-ROW	ID-F-ROW	
Plinth 100 mm	Front and rear	1 set	ID-F-PF04	ID-F-PF06	ID-F-PF06	ID-F-PF08	ID-F-PF08	ID-F-PF10	
	Sides		ID-F-PS06	ID-F-PS06	ID-F-PS08	ID-F-PS06	ID-F-PS08	ID-F-PS06	ID-F-PS06
Plinth 200 mm	Front and rear	1 set	ID-F-PF0402	ID-F-PF0602	ID-F-PF0602	ID-F-PF0802	ID-F-PF0802	ID-F-PF1002	
	Sides		ID-F-PS0602	ID-F-PS0602	ID-F-PS0802	ID-F-PS0602	ID-F-PS0802	ID-F-PS0602	ID-F-PS0802
Mounting rails	1 set	see page 10							

To order an enclosure without a mounting plate, use order code FSE-xxxxxx-01

Recommended Accessories

Air-Conditioning Units



For more information see page 34

Horizontal and Vertical Mounting Rails



For more information see page 10

Accessories

Side Panels

Package includes:

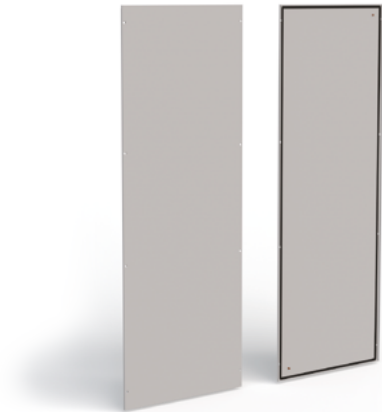
- All necessary assembly parts

Specification:

- Material: 1.5 mm sheet steel
- RAL7035

For enclosure size H x W in mm	Package	Order code
1800x400	1 set	ID-F-S1804
1800x500	1 set	ID-F-S1805
1800x600	1 set	ID-F-S1806
2000x400	1 set	ID-F-S2004
2000x500	1 set	ID-F-S2005
2000x600	1 set	ID-F-S2006
2000x800	1 set	ID-F-S2008
2200x600	1 set	ID-F-S2206
2200x800	1 set	ID-F-S2208

1 set = 2 pieces



Plinths

Specification:

- Material: corner pieces 2 mm, rest 1.5 mm sheet steel, RAL9005
- Must be ordered with front/rear and side kit



Package Includes:

- All necessary assembly parts

Plinth – front and rear kit			
For enclosure	Package	Order code plinth H 100 mm	Order code plinth H 200 mm
400	1 set	ID-F-PF04	ID-F-PF0402
600	1 set	ID-F-PF06	ID-F-PF0602
800	1 set	ID-F-PF08	ID-F-PF0802
1000	1 set	ID-F-PF10	ID-F-PF1002
1200	1 set	ID-F-PF12	ID-F-PF1202

Plinth – side kit			
For enclosure	Package	Order code plinth H 100 mm	Order code plinth H 200 mm
400	1 set	ID-F-PS04	ID-F-PS0402
500	1 set	ID-F-PS05	ID-F-PS0502
600	1 set	ID-F-PS06	ID-F-PS0602
800	1 set	ID-F-PS08	ID-F-PS0802

Baying Kit

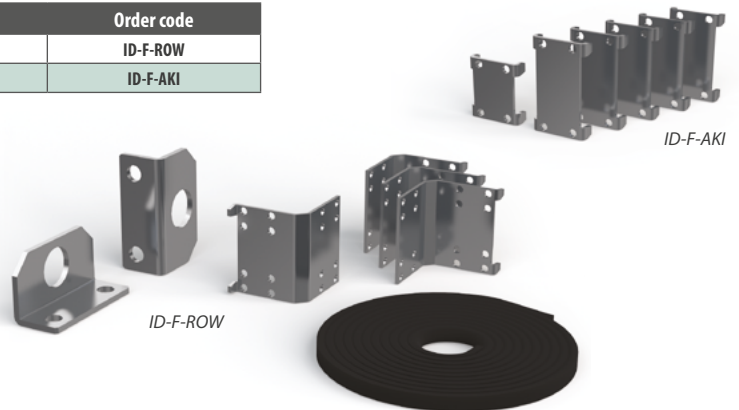
Package includes:

- ID-F-ROW: 4 pcs corner clamps, 2 pcs flat eye bolts, gasket, mounting accessories
- ID-F-AKI: 6 pcs flat clamps, mounting accessories

Specification:

- Material:
 - Flat clamps: 3 mm zinc-plated sheet steel
 - Flat eye bolts: 5 mm zinc-plated sheet steel
- Gasket: polyethylene foam PE-01, density 30-35 kg / m³

Package	Order code
4 pcs + gasket	ID-F-ROW
6 pcs	ID-F-AKI



Mounting Plate Filler

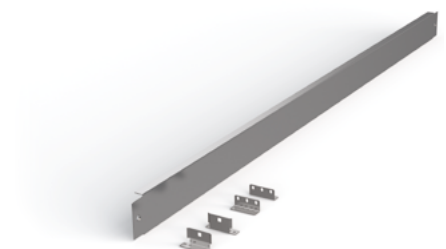
Package includes:

- Brackets and mounting accessories

Specification:

- Material: 1.5 mm zinc-plated sheet steel

For enclosure H in mm	Order code
1800	ID-F-MMP18
2000	ID-F-MMP20
2200	ID-F-MMP22



Horizontal and Vertical Rails

Package includes:

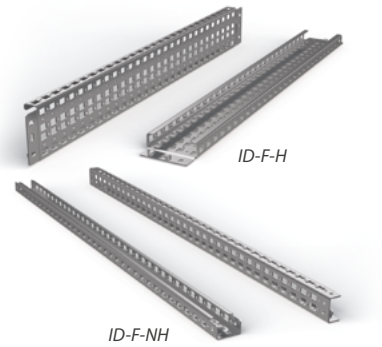
- All necessary assembly parts

Specification:

- Material: 2 mm zinc-plated sheet steel
- Usage: for creating additional horizontal/vertical mounting levels
- Installation: ID-F-Hx is mounted onto profile sides
- Installation: ID-F-NHx is mounted between the frame profiles

For enclosure height / width / depth / in mm	Package	Order code	Order code
400	1 set	ID-F-H4	ID-F-NH4
500	1 set	ID-F-H5	ID-F-NH5
600	1 set	ID-F-H6	ID-F-NH6
700	1 set	ID-F-H7	ID-F-NH7
800	1 set	ID-F-H8	ID-F-NH8
1000	1 set	ID-F-H10	ID-F-NH10
1200	1 set	ID-F-H12	ID-F-NH12
1800	1 set	ID-F-H18	ID-F-NH18
2000	1 set	ID-F-H20	
2200	1 set	ID-F-H22	ID-F-NH22

1 set = 2 pcs



Horizontal Rails

Package Includes:

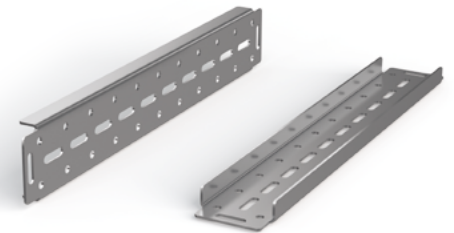
- All necessary assembly parts

Specification:

- Material: 3 mm zinc-plated sheet steel
- Usage: for installation of high load components
- Installation: mounted on the bottom of frame

For enclosure height / width / depth / v mm	Package	Order code
400	1 set	ID-F-HH4
500	1 set	ID-F-HH5
600	1 set	ID-F-HH6
700	1 set	ID-F-HH7
800	1 set	ID-F-HH8
1000	1 set	ID-F-HH10
1200	1 set	ID-F-HH12

1 set = 2 pcs



Door-Mounting Rails

Package includes:

- All necessary assembly parts

Specification:

- Material: 2 mm zinc-plated sheet steel
- Usage: for creating additional mounting levels on inner part of the door
- Mounting: onto door frame

For door width in mm	Package	Order code
400	1 set	ID-F-VD4
500	1 set	ID-F-VD5
600	1 set	ID-F-VD6
800	1 set	ID-F-VD8
1000	1 set	ID-F-VD10

1 set = 2 pcs



Profile for Cable Fixing

Package includes:

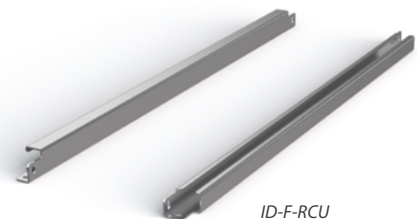
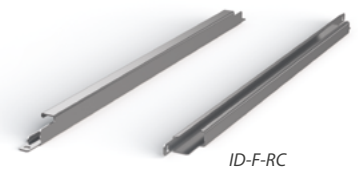
- All necessary assembly parts

Specification:

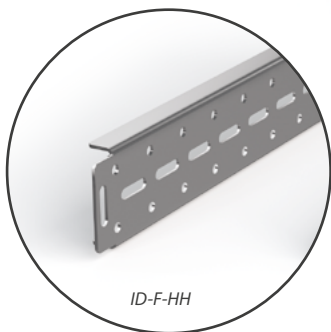
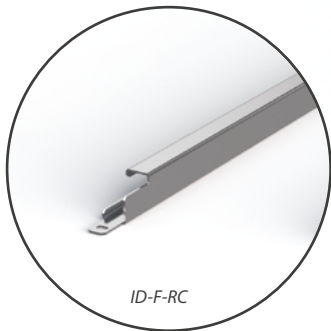
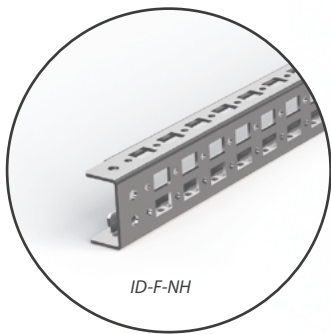
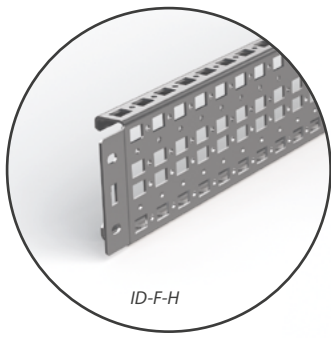
- Material: 2 mm zinc-plated sheet steel
- Usage: for cable fixing
- Installation: Profile rails for recessed mounting position onto bottom frame profiles or onto mounting plate (ID-F-RCUxx)
- Installation: Profile rails for recessed mounting position between bottom frame profiles (ID-F-RCxx)

For enclosure width / depth in mm	Package	Order code	Order code
400	1 set	ID-F-RC4	ID-F-RCU4
600	1 set	ID-F-RC6	ID-F-RCU6
800	1 set	ID-F-RC8	ID-F-RCU8
1000	1 set	ID-F-RC10	ID-F-RCU10
1200	1 set	ID-F-RC12	ID-F-RCU12

1 set = 2 pcs



Installation Options for Horizontal and Vertical Rails



19" Vertical Extrusions

Package includes:

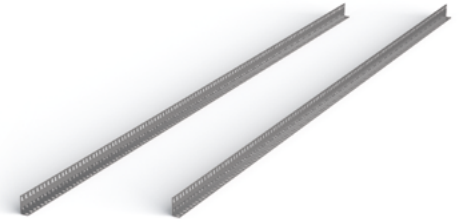
- All necessary assembly parts

Specification:

- Material: 2 mm zinc-plated sheet steel
- Usage: for creating 19" mounting levels
- Mounting: on brackets ID-F-UBxx

For enclosure size HxW in mm	Package	Order code
1800x60	1 set	ID-F-V186
2000x60	1 set	ID-F-V206
2200x60	1 set	ID-F-V226
1800x80	1 set	ID-F-V188
2000x80	1 set	ID-F-V208
2200x80	1 set	ID-F-V228

Order also a bracket for 19" extrusions ID-F-UBxx



19" Brackets

Package includes:

- All necessary assembly parts

Specification:

- Material: 1.5 mm (ID-F-UB06); 2 mm (ID-F-UB08) zinc-plated sheet steel
- Usage: available for 600 and 800 mm width enclosures
- Mounting: on the enclosure frame

For enclosure width in mm	Package	Order code
600	1 set	ID-F-UB06
800	1 set	ID-F-UB08

1 set = 6 pcs

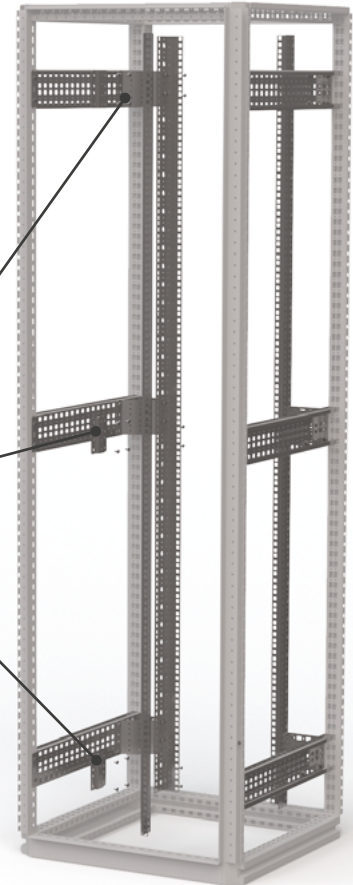
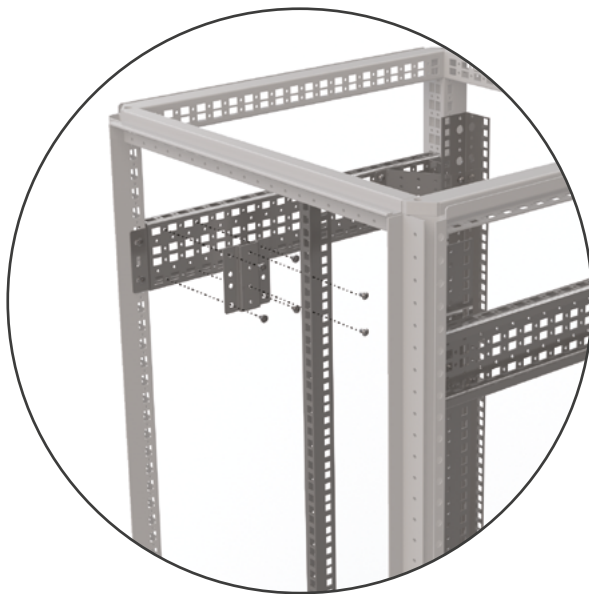


ID-F-UB06



ID-F-UB08

Mounting 19" Vertical Extrusions



Mounting plate

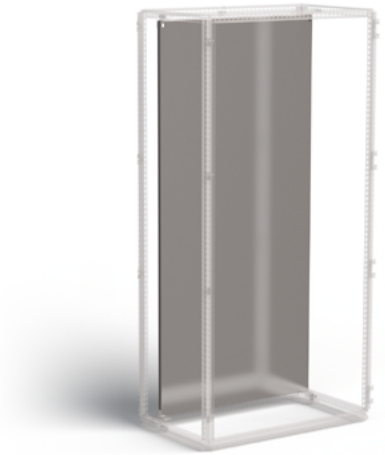
Package includes:

- All necessary assembly parts and mounting plate brackets

Specification:

- Material: 3 mm zinc-plated sheet steel

For enclosure size HxW in mm	Order code
1800x400	ID-F-SP1804
1800x600	ID-F-SP1806
1800x800	ID-F-SP1808
1800x1000	ID-F-SP1810
1800x1200	ID-F-SP1812
2000x400	ID-F-SP2004
2000x600	ID-F-SP2006
2000x800	ID-F-SP2008
2000x1000	ID-F-SP2010
2000x1200	ID-F-SP2012
2200x400	ID-F-SP2204
2200x600	ID-F-SP2206
2200x800	ID-F-SP2208
2200x1000	ID-F-SP2210
2200x1200	ID-F-SP2210



Door Stop

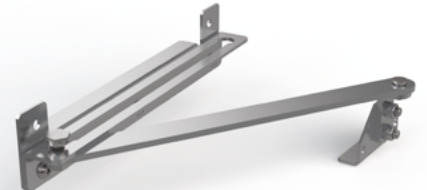
Package includes:

- All necessary assembly parts

Specification:

- Mounting: on the enclosure and door frames

Package	Order code
1 pc	ID-F-DS



Door Switch

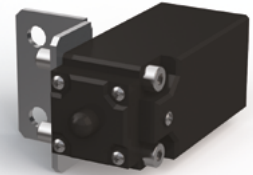
Specifkace:

- Material:
 - Brackets: 2 mm zinc-plated sheet steel
 - Door swith: IP65, plastic, 1NO +1 NC, PG13,5, -25°C to +70°C

Package	Order code
1 pc	ID-F-DC

Package includes:

- All necessary assembly parts



Pockets for Documents

Specification:

- Material: ABS
- Color: RAL7035
- Dimensions: 234x241x31 mm (HxWxD)
- Mounting: with self-adhesive tape

Package	Order code
1 pc	ID-P0-A4

Package includes:

- Plastic pocket for documents and adhesive tape



Package includes:

- All necessary assembly parts

Specification:

- Material: 1 mm sheet steel
- Color: RAL7035
- Installation: onto door frame

For door width in mm	Package	Order code
400	1 set	ID-F-MP04
600	1 set	ID-F-MP06
800	1 set	ID-F-MP08
1000	1 set	ID-F-MP010



Cable Gland Plate with Gasket

Package includes:

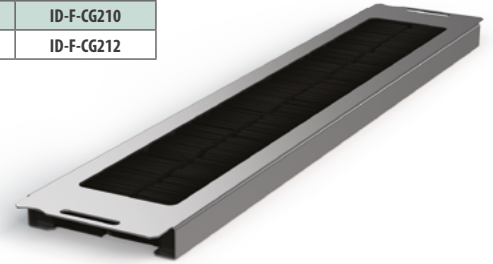
- All necessary assembly parts

Specification:

- Material: 1 mm zinc-plated sheet steel
- Usage: For cable insert
- Type: Cable gland with PU gasket (ID-F-CG1xx), Cable gland with 2 brush gaskets (ID-F-CG2xx)
- Installation: installation instead of plain cable gland

For enclosure width in mm	Package	Order code	Order code
400	1 set	ID-F-CG104	ID-F-CG204
600	1 set	ID-F-CG106	ID-F-CG206
800	1 set	ID-F-CG108	ID-F-CG208
1000	1 set	ID-F-CG110	ID-F-CG210
1200	1 set	ID-F-CG112	ID-F-CG212

1 set = 2 pcs



IP55 Bottom Kit

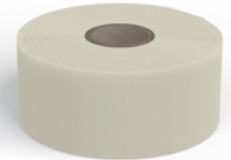
Package includes:

- All necessary assembly parts

Specification

- Material: ionomer backing / Acrylic pressure-sensitive glue
- Usage: insulating tape for IP55 for bottom frame

Package	Order code
1 pc	ID-F-KIT55



Utility Lectern

Package Includes:

- Material: 1.5 mm sheet steel
- Color: RAL 7035
- Installation: on door frame
- Dimensions: 356 mm depth

For enclosure width in mm	Doors	Package	Oder code
400	1	1 set	ID-F-CDD4
600	1	1 set	ID-F-CDD6
800	1	1 set	ID-F-CDD8
1000	1	1 set	ID-F-CDD10
1000	2	1 set	ID-F-CDD102
1200	1	1 set	ID-F-CDD12



inTEG Compact Enclosure

Our compact inTEG enclosures have a smooth design thanks to the latest laser-welding technology. Their body provides high rigidity and is compatible with many applications in the industrial, electrical engineering and automation fields. Each of the enclosure's 54 dimensions are made with either plain or glazed doors. The range includes powder-coated stainless steel enclosures as well as stainless steel enclosures for applications that need more protection from the environment. The internal equipment can be installed quickly without the need of additional accessories.

MAIN ADVANTAGES

- Smooth design thanks to laser welding
- 54 dimensions from 300x200x155 mm up to 1400x1000x300 mm
- Single-door and double-door enclosures
- Materials: sheet steel, stainless steel 304 or 316L, powder coated stainless steel
- Maximum dimensions available for mounting plate
- Stability and robustness
- High rigidity of rear panel
- Wide range of accessories
- Customized solutions – cutouts and holes according to your requirements
- Easily changeable left to right-hand door mounting
- Rear panel with holes ready for direct wall mounting
- Standard – mounting plate with labeled 50x50 mm raster for all types
- Full-gland plate
- Wide selection of safety warning signs
- Possibility of placing your logo or special label on enclosure according to your requirements

TECHNICAL SPECIFICATIONS

- IP66 dust and water protection – single-door enclosures
- IP55 dust and water protection – double-door enclosures
- Mechanical resistance IK10 (IK08 for enclosures with glazed doors)
- RAL7035 standard color (other colors available upon request)
- PUR non-porous gasket on door(s)
- Zinc-plated mounting plate with labeled raster
- Simple change of door hinges from right to left
- 130° angle door opening
- Heating dissipation (see page 47-49)



Customized solutions

In an effort to meet the increasing demands of our customers, we can make additional adjustments to enclosures according to individual request and requirements.



Individual cutouts and holes

- Enclosures can be individually customized
- Prices for cutouts in steel and stainless steel are the same

Easy and quick installation of accessories

The inTEG compact enclosures are designed with regard to the user – practical and effective. Standard sizes and accessories are in stock, which allows us to minimize delivery time.



Perforated mounting rails on door

- Available for enclosures of minimum height 500 mm
- Easier installation of door components
- Increased rigidity of door



Individual labeling

- Printed on adhesive foil
- Possibility of placing your logo or individual descriptions
- Full-color
- Maximum printing size 300x420 mm



Perforated mounting rails on side panels

- Available for enclosures of minimum depth 250 mm
- Screwed to body of enclosure
- Comfort installation for components on side panels
- Perforations in 25 mm step



Wide selection of safety warning signs

- Signs are printed by UV LED technology, which ensures high-quality lifetime performance
- Customized dimensions and stickers available in different languages

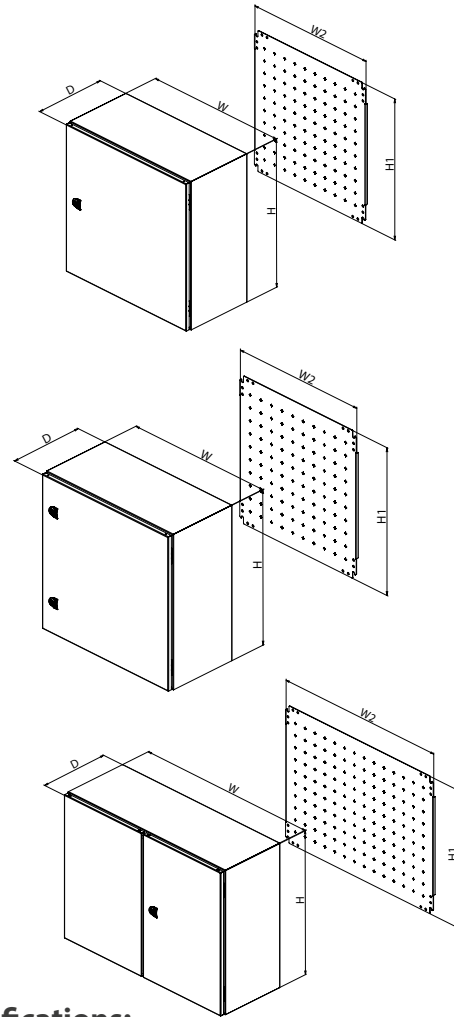


Rain canopy

- Light construction – no extra weight for enclosure
- In combination with stainless steel powder-coated enclosure – solution for outdoor application

inTEG Compact Enclosure – Sheet Steel

:: inTEG compact enclosure – sheet steel



Package includes:

- Single/double-door compact enclosure, hinges are on the right side for single-door enclosures (can be easily changed to left). Door(s) come with a PUR non-porous gasket and a cam lock or 3-point lock system.
- Gland plate(s)
- Perforated mounting rails on door(s) available for enclosures of minimum height 500 mm
- Perforated mounting rails on sides available for enclosures of minimum depth 250 mm
- Mounting plate with labeled 50x50 mm raster
- Accessories for wall mounting

Specifications:

- Material:
 - Enclosure: sheet steel
 - Mounting plate: zinc-plated sheet steel
- Enclosure surface finish: epoxypolyester-powder coat
- Color: RAL7035 for indoor use only
- Protection degree: IP66 single-door enclosure/IP55 double-door enclosure according to EN 60 529*
- Mechanical protection: IK10 according to IEC 62262

For detailed technical information see pages 35 – 37.

* IP protection may be changed by installing some accessories

Compact enclosure, single door, height 300 and 400 mm												
Enclosure	H (mm)	300	300	300	300	300	300	400	400	400	400	400
	W (mm)	200	250	300	300	400	400	300	300	400	600	600
	D (mm)	155	155	155	210	155	210	155	210	210	210	250
Mounting plate	H1 (mm)	270	270	270	270	270	270	370	370	370	370	370
	W2 (mm)	150	200	250	250	350	350	250	250	350	550	550
Material thickness in mm	Enclosure	1,25	1,25	1,25	1,25	1,25	1,25	1,25	1,25	1,25	1,25	1,25
	Door	1,5	1,5	1,5	1,5	1,5	1,5	1,5	1,5	1,5	1,5	1,5
	Mount. plate	2	2	2	2	2	2	2	2	2	2	2
Quantity	Hinges	2	2	2	2	2	2	2	2	2	2	2
	Cam lock	1	1	1	1	1	1	1	1	1	1	1
	Bolts	4	4	4	4	4	4	4	4	4	4	4
Gland plate	Size	A	A	B	C	B	D	B	C	D	F	F
	Quantity	1	1	1	1	1	1	1	1	1	1	1
Weight in kg		3,9	4,7	5,5	6,1	6,9	7,7	6,9	7,6	9,5	13,4	14,2
Order code	1 pc	WME-030215	WME-032515	WME-030315	WME-030321	WME-030415	WME-030421	WME-040315	WME-040321	WME-040421	WME-040621	WME-040625
Accessories												
Rails for interior installation	1 set	-	-	-	-	-	-	-	-	-	-	ID-W-H4
19" fixed extrusions	1 set	-	-	-	-	-	-	-	-	-	-	ID-W-U8

Compact Enclosure, single door, height 500 mm

Enclosure	H (mm)	500	500	500	500	500
	W (mm)	300	400	400	500	500
	D (mm)	210	210	250	210	300
Mounting plate	H1 (mm)	470	470	470	470	470
	W2 (mm)	250	350	350	450	450
Material thickness in mm	Enclosure	1,25	1,25	1,25	1,25	1,25
	Door	1,5	1,5	1,5	1,5	1,5
	Mount. plate	2	2	2	2	2
Quantity	Hinges	2	2	2	2	2
	Cam lock	1	1	1	1	1
	Bolts	4	4	4	4	4
Gland plate	Size	C	D	D	E	E
	Quantity	1	1	1	1	1
Weight in kg		9,1	11,3	12,1	13,7	15,5
Order code	1 pc	WME-050321	WME-050421	WME-050425	WME-050521	WME-050503
Accessories						
Rails for interior installation	1 set	-	-	ID-W-H5	-	ID-W-H5
Door-mounting rails	1 set	ID-W-VD3	ID-W-VD4	ID-W-VD4	ID-W-VD5	ID-W-VD5
Interior door	1 pc	-	-	ID-W-ID54	-	ID-W-ID55

Compact Enclosure, single door, height 600 mm

Enclosure	H (mm)	600	600	600	600	600	600	600	600	600	600
	W (mm)	400	400	400	500	600	600	600	600	800	800
	D (mm)	210	250	300	250	210	250	300	400	250	300
Mounting plate	H1 (mm)	570	570	570	570	570	570	570	570	570	570
	W2 (mm)	350	350	350	450	550	550	550	550	750	750
Material thickness in mm	Enclosure	1,25	1,5	1,5	1,5	1,5	1,5	1,5	1,5	1,5	1,5
	Door	1,5	1,5	1,5	1,5	1,5	1,5	1,5	1,5	1,5	1,5
	Mount. plate	2	2	2	2	2	2	2	2	2	2
Quantity	Hinges	2	2	2	2	2	2	2	2	2	2
	Cam lock	2	2	2	2	2	2	2	2	2	2
	Bolts	4	4	4	4	4	4	4	4	4	4
Gland plate	Size	D	D	D	E	F	F	F	F	F	F
	Quantity	1	1	1	1	1	1	1	1	1	1
Weight in kg		13,2	15,4	16,8	18,4	20,3	21,4	22,8	25,9	27,3	29
Order code	1 pc	WME-060421	WME-060425	WME-060403	WME-060525	WME-060621	WME-060625	WME-060603	WME-060604	WME-060825	WME-060803
Accessories											
Rails for interior installation	1 set	-	ID-W-H6	ID-W-H6	ID-W-H6	-	ID-W-H6	ID-W-H6	ID-W-H6	ID-W-H6	ID-W-H6
Door-mounting rails	1 set	ID-W-VD4	ID-W-VD4	ID-W-VD4	ID-W-VD5	ID-W-VD6	ID-W-VD6	ID-W-VD6	ID-W-VD6	ID-W-VD8	ID-W-VD8
19" fixed extrusions	1 set	-	-	-	-	-	ID-W-U12	ID-W-U12	ID-W-U12	ID-W-U12 *	ID-W-U12 *
Interior door	1 pc	-	ID-W-ID64	ID-W-ID64	ID-W-ID65	-	ID-W-ID66	ID-W-ID66	ID-W-ID66	-	-
Plinth **	front and rear	1 set	-	-	-	-	-	ID-W-PF60	ID-W-PF60	-	ID-W-PF80
	sides	1 set	-	-	-	-	-	ID-W-PS30	ID-W-PS40	-	ID-W-PS30

*Order also bracket ID-W-UB. ** Plinth sheet steel, height 100 mm, RAL7046.

Compact Enclosure, single door, height 700 and 800 mm

Enclosure	H (mm)	700	700	800	800	800	800	800
	W (mm)	500	500	600	600	600	800	800
	D (mm)	210	300	250	300	400	300	400
Mounting plate	H1 (mm)	670	670	770	770	770	770	770
	W2 (mm)	450	450	550	550	550	750	750
Material thickness in mm	Enclosure	1,5	1,5	1,5	1,5	1,5	1,5	1,5
	Door	1,5	1,5	2	2	2	2	2
	Mount. plate	2	2	2 F	2 F	2	2 FF	2 FF
Quantity	Hinges	2	2	2	2	2	2	2
	Cam lock	2	2	2	2	2	2	2
	Bolts	4	4	4	4	4	4	4
Gland plate	Size	E	E	F	F	F	F	F
	Quantity	1	1	1	1	1	1	1
Weight in kg		19,8	22,3	29,2	31,7	35,2	40,2	44,2
Order code	1 pc	WME-070521	WME-070503	WME-080625	WME-080603	WME-080604	WME-080803	WME-080804
Accessories								
Rails for interior installation	1 set	-	ID-W-H7	ID-W-H8	ID-W-H8	ID-W-H8	ID-W-H8	ID-W-H8
Door-mounting rails	1 set	ID-W-VD5	ID-W-VD5	ID-W-VD6	ID-W-VD6	ID-W-VD6	ID-W-VD8	ID-W-VD8
19" fixed extrusions	1 set	-	-	ID-W-U17	ID-W-U17	ID-W-U17	ID-W-U17 *	ID-W-U17 *
Interior door	1 pc	-	ID-W-ID75	ID-W-ID86	ID-W-ID86	ID-W-ID86	ID-W-ID88	ID-W-ID88
Plinth **	front and rear	1 set	-	-	-	ID-W-PF60	ID-W-PF60	ID-W-PF80
	sides	1 set	-	-	-	ID-W-PS30	ID-W-PS40	ID-W-PS40

2 F - 2 mm mounting plate with 2 bended edges. 2 FF - 2 mm mounting plate with 4 bended edges.

*Order also bracket ID-W-UB. ** Plinth sheet steel, height 100 mm, RAL7046.

Compact Enclosure, single door, height 1000 and 1200 mm											
Enclosure	H (mm)	1000	1000	1000	1000	1000	1200	1200	1200	1200	
	W (mm)	600	600	600	800	800	600	600	800	800	
	D (mm)	250	300	400	300	400	300	400	300	400	
Mounting plate	H1 (mm)	970	970	970	970	970	1170	1170	1170	1170	
	W2 (mm)	550	550	550	750	750	550	550	750	750	
Material thickness in mm	Enclosure	1,5	1,5	1,5	1,5	1,5	1,5	1,5	1,5	1,5	
	Door	2	2	2	2	2	2	2	2	2	
	Mount. plate	2 F	2 F	2 F	2 FF	2 FF	2 F	2 F	2 FF	2 FF	
Quantity	Hinges	3	3	3	3	3	3	3	3	3	
	Bolts	4	4	4	6	6	6	6	6	6	
3-point lock system		+	+	+	+	+	+	+	+	+	
Gland plate	Size	F	F	F	F	F	F	F	F	F	
	Quantity	1	1	1	1	1	1	1	1	1	
Weight in kg		35,7	38,4	42,4	48,6	53,1	45	49,4	57,1	62	
Order code	1 pc	WME-100625	WME-100603	WME-100604	WME-100803	WME-100804	WME-120603	WME-120604	WME-120803	WME-120804	
Accessories											
Rails for interior installation	1 set	ID-W-H10	ID-W-H10	ID-W-H10	ID-W-H10	ID-W-H10	ID-W-H12	ID-W-H12	ID-W-H12	ID-W-H12	
Door-mounting rails	1 set	ID-W-VD6	ID-W-VD6	ID-W-VD6	ID-W-VD8	ID-W-VD8	ID-W-VD6	ID-W-VD6	ID-W-VD8	ID-W-VD8	
19" fixed extrusions	1 set	ID-W-U21	ID-W-U21	ID-W-U21	ID-W-U21 *	ID-W-U21 *	ID-W-U25	ID-W-U25	ID-W-U25 *	ID-W-U25 *	
Interior door	1 pc	ID-W-ID106	ID-W-ID106	ID-W-ID106	ID-W-ID108	ID-W-ID108	ID-W-ID126	ID-W-ID126	ID-W-ID128	ID-W-ID128	
Plinth **	front and rear	1 set	-	ID-W-PF60	ID-W-PF60	ID-W-PF80	ID-W-PF80	ID-W-PF60	ID-W-PF60	ID-W-PF80	ID-W-PF80
	sides	1 set	-	ID-W-PS30	ID-W-PS40	ID-W-PS30	ID-W-PS40	ID-W-PS30	ID-W-PS40	ID-W-PS30	ID-W-PS40

2 F - 2 mm mounting plate with 2 bended edges. 2 FF - 2 mm mounting plate with 4 bended edges.

*Order also bracket ID-W-UB. ** Plinth sheet steel, height 100 mm, RAL7046.

Compact Enclosure, double door, height 600 – 1000 mm										
Enclosure	H (mm)	600	800	800	1000	1000	1000	1000	1000	1000
	W (mm)	800	1000	1200	1000	1000	1000	1200	1200	1200
	D (mm)	300	300	300	300	400	300	300	400	400
Mounting plate	H1 (mm)	570	770	770	970	970	970	970	970	970
	W2 (mm)	750	950	1150	950	950	950	1150	1150	1150
Material thickness in mm	Enclosure	1,5	1,5	1,5	1,5	1,5	1,5	1,5	1,5	1,5
	Door	1,5	2	2	2	2	2	2	2	2
	Mounting plate	2	2 FF	2 FF	2,5 FF	2,5 FF	2,5 FF	2,5 FF	2,5 FF	2,5 FF
Quantity	Hinges	2	2	2	3	3	3	3	3	3
	Bolts	4	6	6	6	6	6	6	6	6
3-point lock system		+	+	+	+	+	+	+	+	+
Gland plate	Size	F	E	F	E	E	E	F	F	F
	Quantity	1	2	2	2	2	2	2	2	2
Weight in kg		29,5	49,5	58,1	63,8	68,7	68,7	74,7	74,7	76
Order code	1 pc	WME-160803	WME-181003	WME-181203	WME-201003	WME-201004	WME-201004	WME-201203	WME-201203	WME-201204
Accessories										
Rails for interior installation	1 set	ID-W-H6	ID-W-H8	ID-W-H8	ID-W-H10	ID-W-H10	ID-W-H10	ID-W-H10	ID-W-H10	ID-W-H10
Door-mounting rails	1 set	ID-W-VD8	-	-	-	-	-	-	-	-
19" fixed extrusions	1 set	ID-W-U12 *	-	-	-	-	-	-	-	-
Plinth **	front and rear	1 set	ID-W-PF80	ID-W-PF100	ID-W-PF120	ID-W-PF100	ID-W-PF100	ID-W-PF100	ID-W-PF120	ID-W-PF120
	sides	1 set	ID-W-PS30	ID-W-PS30	ID-W-PS30	ID-W-PS30	ID-W-PS40	ID-W-PS30	ID-W-PS30	ID-W-PS40

2 F - 2 mm mounting plate with 2 bended edges. 2 FF - 2mm mounting plate with 4 bended edges. 2,5 FF – 2,5 mm mounting plate with 4 bended edges.

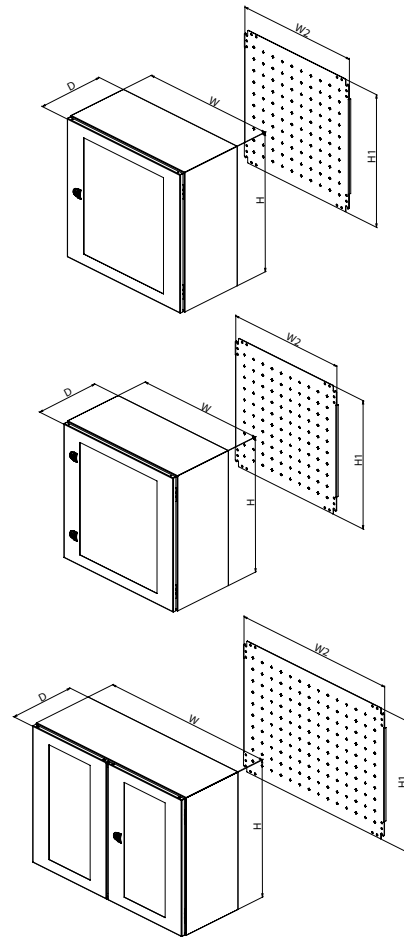
*Order also bracket ID-W-UB. ** Plinth sheet steel, height 100 mm, RAL7046.

Compact Enclosure, double door, height 1200 – 1400 mm					
Enclosure	H (mm)	1200	1200	1200	1400
	W (mm)	1000	1000	1200	1200
	D (mm)	300	400	300	400
Mounting plate	H1 (mm)	1170	1170	1170	1370
	W2 (mm)	950	950	1150	1150
Material thickness in mm	Enclosure	1,5	1,5	1,5	1,5
	Door	2	2	2	2
	Mount. plate	2,5 FF	2,5 FF	2,5 FF	2,5 FF
Quantity	Hinges	3	3	3	3
	Bolts	6	6	6	6
3-point lock system		+	+	+	+
Gland plate	Size	E	E	F	F
	Quantity	2	2	2	2
Weight in kg		74,7	80,2	87,6	93,4
Order code	1 pc	WME-221003	WME-221004	WME-221203	WME-221204
Accessories					
Rails for interior installation	1 set	ID-W-H12	ID-W-H12	ID-W-H12	ID-W-H14
Door-mounting rails	1 set	-	-	-	-
19" fixed extrusions	1 set	-	-	-	-
Plinth **	front and rear	1 set	ID-W-PF100	ID-W-PF100	ID-W-PF120
	sides	1 set	ID-W-PS30	ID-W-PS40	ID-W-PS30

2,5 FF – 2,5 mm mounting plate with 4 bended edges.

*Order also bracket ID-W-UB. ** Plinth sheet steel, height 100 mm, RAL7046.

inTEG Compact Enclosure – Glazed Door



Package includes:

- Single/double-door compact enclosure, hinges are on the right side for single-door enclosures (can be easily changed to left). Door(s) come with a PUR non-porous gasket and a cam lock or 3-point lock system
- Gland plate(s)
- Perforated mounting rails on door(s) available for enclosures of minimum height 500 mm
- Perforated mounting rails on sides available for enclosures of minimum depth 250 mm
- Mounting plate with labeled 50x50 mm raster
- Accessories for wall mounting

For detailed technical information see pages 38 – 40.

Specifications:

- Material:
 - Enclosure: sheet steel
 - Mounting plate: zinc-plated sheet steel
- Enclosure surface finish: epoxypolyester-powder coat
- Color: RAL7035 for indoor use only
- Protection degree: IP66 single-door enclosure/IP55 double-door enclosure according to EN 60 529 *
- Mechanical protection: IK10 according to IEC 62262

* IP protection may be changed by installing some accessories

Compact Enclosure, single door, height 300 mm

		300	300	300	300	300
Enclosure	H (mm)	300	300	300	300	300
	W (mm)	250	300	300	400	400
	D (mm)	155	155	210	155	210
Mounting plate	H1 (mm)	270	270	270	270	270
	W2 (mm)	200	250	250	350	350
Material thickness in mm	Enclosure	1,25	1,25	1,25	1,25	1,25
	Door	1,5	1,5	1,5	1,5	1,5
	Mount. plate	2	2	2	2	2
Quantity	Hinges	2	2	2	2	2
	Cam lock	1	1	1	1	1
	Bolts	4	4	4	4	4
	Size	A	B	C	B	D
Gland plate	Quantity	1	1	1	1	1
Weight in kg		5,1	5,9	6,6	6,9	7,7
Order code	1 pc	WME-G-032515	WME-G-030315	WME-G-030321	WME-G-030415	WME-G-030421

Compact Enclosure, single door, height 400 and 500 mm											
Enclosure	H (mm)	400	400	400	400	400	500	500	500	500	500
	W (mm)	300	300	400	600	600	300	400	400	500	500
	D (mm)	155	210	210	210	250	210	210	250	210	300
Mounting plate	H1 (mm)	370	370	370	370	370	470	470	470	470	470
	W2 (mm)	250	250	350	550	550	250	350	350	450	450
Material thickness in mm	Enclosure	1,25	1,25	1,25	1,25	1,25	1,25	1,25	1,25	1,25	1,25
	Door	1,5	1,5	1,5	1,5	1,5	1,5	1,5	1,5	1,5	1,5
	Mount. plate	2	2	2	2	2	2	2	2	2	2
Quantity	Hinges	2	2	2	2	2	2	2	2	2	2
	Cam lock	1	1	1	1	1	1	1	1	1	1
	Bolts	4	4	4	4	4	4	4	4	4	4
Gland plate	Size	B	C	D	F	F	C	D	D	E	E
	Quantity	1	1	1	1	1	1	1	1	1	1
Weight in kg		6,9	7,6	8,6	12,1	12,8	9,1	10,3	10,9	12,4	13,6
Order code	1 pc	WME-G-040315	WME-G-040321	WME-G-040421	WME-G-040621	WME-G-040625	WME-G-050321	WME-G-050421	WME-G-050425	WME-G-050521	WME-G-050503
Accessories											
Rails for interior installation	1 set	-	-	-	-	ID-W-H4	-	-	ID-W-H5	-	ID-W-H5
19" fixed extrusions	1 set	-	-	-	-	ID-W-U8	-	-	-	-	-
Interior door	1 pc	-	-	-	-	-	-	-	ID-W-ID54	-	ID-W-ID55

Compact Enclosure, single door, height 600 mm											
Enclosure	H (mm)	600	600	600	600	600	600	600	600	600	600
	W (mm)	400	400	400	500	600	600	600	600	800	800
	D (mm)	210	250	300	250	210	250	300	400	250	300
Mounting plate	H1 (mm)	570	570	570	570	570	570	570	570	570	570
	W2 (mm)	350	350	350	450	550	550	550	550	750	750
Material thickness in mm	Enclosure	1,25	1,5	1,5	1,5	1,5	1,5	1,5	1,5	1,5	1,5
	Door	1,5	1,5	1,5	1,5	1,5	1,5	1,5	1,5	1,5	1,5
	Mount. plate	2	2	2	2	2	2	2	2	2	2
Quantity	Hinges	2	2	2	2	2	2	2	2	2	2
	Cam lock	2	2	2	2	2	2	2	2	2	2
	Bolts	4	4	4	4	4	4	4	4	4	4
Gland plate	Size	D	D	D	E	F	F	F	F	F	F
	Quantity	1	1	1	1	1	1	1	1	1	1
Weight in kg		11,9	13,9	15,6	17,1	18,9	19,9	21,2	24,1	25,4	27
Order code	1 pc	WME-G-060421	WME-G-060425	WME-G-060403	WME-G-060525	WME-G-060621	WME-G-060625	WME-G-060603	WME-G-060604	WME-G-060825	WME-G-060803
Accessories											
Rails for interior installation	1 set	-	ID-W-H6	ID-W-H6	ID-W-H6	-	ID-W-H6	ID-W-H6	ID-W-H6	ID-W-H6	ID-W-H6
19" fixed extrusions	1 set	-	-	-	-	-	ID-W-U12	ID-W-U12	ID-W-U12	ID-W-U12 *	ID-W-U12 *
Interior door	1 pc	-	ID-W-ID64	ID-W-ID64	ID-W-ID65	-	ID-W-ID66	ID-W-ID66	ID-W-ID66	-	-
Plinth **	front and rear	1 set	-	-	-	-	-	ID-W-PF60	ID-W-PF60	-	ID-W-PF80
	sides	1 set	-	-	-	-	-	ID-W-PS30	ID-W-PS40	-	ID-W-PS30

*Order also bracket ID-W-UB. **Plinth sheet steel, height 100 mm, RAL7046.

Compact Enclosure, single door, height 700 and 800 mm											
Enclosure	H (mm)	700	700	800	800	800	800	800	800	800	800
	W (mm)	500	500	600	600	600	600	600	800	800	800
	D (mm)	210	300	250	300	300	400	300	300	400	400
Mounting plate	H1 (mm)	670	670	770	770	770	770	770	770	770	770
	W2 (mm)	450	450	550	550	550	550	750	750	750	750
Material thickness in mm	Enclosure	1,5	1,5	1,5	1,5	1,5	1,5	1,5	1,5	1,5	1,5
	Door	1,5	1,5	2	2	2	2	2	2	2	2
	Mount. plate	2	2	2 F	2 F	2 F	2 F	2 F	2 FF	2 FF	2 FF
Quantity	Hinges	2	2	2	2	2	2	2	2	2	2
	Cam lock	2	2	2	2	2	2	2	2	2	2
	Bolts	4	4	4	4	4	4	4	4	4	4
Gland plate	Size	E	E	F	F	F	F	F	F	F	F
	Quantity	1	1	1	1	1	1	1	1	1	1
Weight in kg		18,4	20,7	27,2	28,5	29,2	32,2	35,4	35,4	35,4	35,4
Order code	1 pc	WME-G-070521	WME-G-070503	WME-G-080625	WME-G-080603	WME-G-080604	WME-G-080803	WME-G-080804	WME-G-080804	WME-G-080804	WME-G-080804
Accessories											
Rails for interior installation	1 set	-	ID-W-H7	ID-W-H8	ID-W-H8	ID-W-H8	ID-W-H8	ID-W-H8	ID-W-H8	ID-W-H8	ID-W-H8
19" fixed extrusions	1 set	-	-	ID-W-U17	ID-W-U17	ID-W-U17	ID-W-U17	ID-W-U17 *	ID-W-U17 *	ID-W-U17 *	ID-W-U17 *
Interior door	1 pc	-	ID-W-ID75	ID-W-ID86	ID-W-ID86	ID-W-ID86	ID-W-ID86	ID-W-ID88	ID-W-ID88	ID-W-ID88	ID-W-ID88
Plinth **	front and rear	1 set	-	-	-	ID-W-PF60	ID-W-PF60	ID-W-PF80	ID-W-PF80	ID-W-PF80	ID-W-PF80
	sides	1 set	-	-	-	ID-W-PS30	ID-W-PS40	ID-W-PS30	ID-W-PS40	ID-W-PS40	ID-W-PS40

2 F - 2mm mounting plate with 2 bended edges. 2 FF - 2mm mounting plate with 4 bended edges.

*Order also bracket ID-W-UB. **Plinth sheet steel, height 100 mm, RAL7046.

Compact Enclosure, single door, height 1000 and 1200 mm										
Enclosure	H (mm)	1000	1000	1000	1000	1000	1200	1200	1200	1200
	W (mm)	600	600	600	800	800	600	600	800	800
	D (mm)	250	300	400	300	400	300	400	300	400
Mounting plate	H1 (mm)	970	970	970	970	970	1170	1170	1170	1170
	W2 (mm)	550	550	550	750	750	550	550	750	750
Material thickness in mm	Enclosure	1,5	1,5	1,5	1,5	1,5	1,5	1,5	1,5	1,5
	Door	2	2	2	2	2	2	2	2	2
	Mounting plate	2 F	2 F	2 F	2 FF	2 FF	2 F	2 F	2 FF	2 FF
Quantity	Hinges	3	3	3	3	3	3	3	3	3
	Bolts	4	4	4	6	6	6	6	6	6
3-point lock system		+	+	+	+	+	+	+	+	+
Gland plate	Size	F	F	F	F	F	F	F	F	F
	Quantity	1	1	1	1	1	1	1	1	1
Weight in kg		29,7	31,9	35,2	40,4	44,1	37,4	41	47,4	51,5
Order code	1 pc	WME-G-100625	WME-G-100603	WME-G-100604	WME-G-100803	WME-G-100804	WME-G-120603	WME-G-120604	WME-G-120803	WME-G-120804
Accessories										
Rails for interior installation	1 set	ID-W-H10	ID-W-H10	ID-W-H10	ID-W-H10	ID-W-H10	ID-W-H12	ID-W-H12	ID-W-H12	ID-W-H12
19" fixed extrusions	1 set	ID-W-U21	ID-W-U21	ID-W-U21	ID-W-U21 *	ID-W-U21 *	ID-W-U25	ID-W-U25	ID-W-U25 *	ID-W-U25 *
Interior door	1 pc	ID-W-ID106	ID-W-ID106	ID-W-ID106	ID-W-ID108	ID-W-ID108	ID-W-ID126	ID-W-ID126	ID-W-ID128	ID-W-ID128
Plinth **	front and rear	1 set	ID-W-PF60	ID-W-PF60	ID-W-PF60	ID-W-PF80	ID-W-PF60	ID-W-PF60	ID-W-PF80	ID-W-PF80
	sides	1 set	-	ID-W-PS30	ID-W-PS40	ID-W-PS30	ID-W-PS40	ID-W-PS30	ID-W-PS40	ID-W-PS40

2 F - 2 mm mounting plate with 2 bended edges. 2 FF - 2mm mounting plate with 4 bended edges.
*Order also bracket ID-W-UB. ** Plinth sheet steel, height 100 mm, RAL7046.

Compact Enclosure, double door, height 600 – 1000 mm									
Enclosure	H (mm)	600	800	800	1000	1000	1000	1000	1000
	W (mm)	800	1000	1200	1000	1000	1200	1200	1200
	D (mm)	300	300	300	300	400	300	400	400
Mounting plate	H1 (mm)	570	770	770	970	970	970	970	970
	W2 (mm)	750	950	1150	950	950	1150	1150	1150
Material thickness in mm	Enclosure	1,5	1,5	1,5	1,5	1,5	1,5	1,5	1,5
	Door	1,5	2	2	2	2	2	2	2
	Mount. plate	2	2 FF	2 FF	2,5 FF	2,5 FF	2,5 FF	2,5 FF	2,5 FF
Quantity	Hinges	2	2	2	3	3	3	3	3
	Bolts	4	6	6	6	6	6	6	6
3-point lock system		+	+	+	+	+	+	+	+
Gland plate	Size	F	E	F	E	E	F	F	F
	Quantity	1	2	2	2	2	2	2	2
Weight in kg		24,5	41,1	50	53	59,1	62	63,1	63,1
Order code	1 pc	WME-G-160803	WME-G-181003	WME-G-181203	WME-G-201003	WME-G-201004	WME-G-201203	WME-G-201204	WME-G-201204
Accessories									
Rails for interior installation	1 set	ID-W-H6	ID-W-H8	ID-W-H8	ID-W-H10	ID-W-H10	ID-W-H10	ID-W-H10	ID-W-H10
19" fixed extrusions	1 set	ID-W-U12 *	-	-	-	-	-	-	-
Plinth **	front and rear	1 set	ID-W-PF80	ID-W-PF100	ID-W-PF120	ID-W-PF100	ID-W-PF100	ID-W-PF120	ID-W-PF120
	sides	1 set	ID-W-PS30	ID-W-PS30	ID-W-PS30	ID-W-PS30	ID-W-PS40	ID-W-PS30	ID-W-PS40

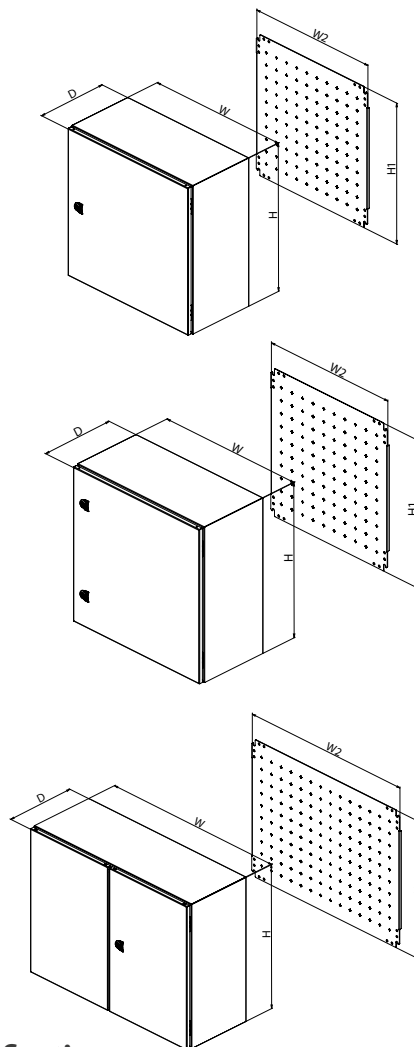
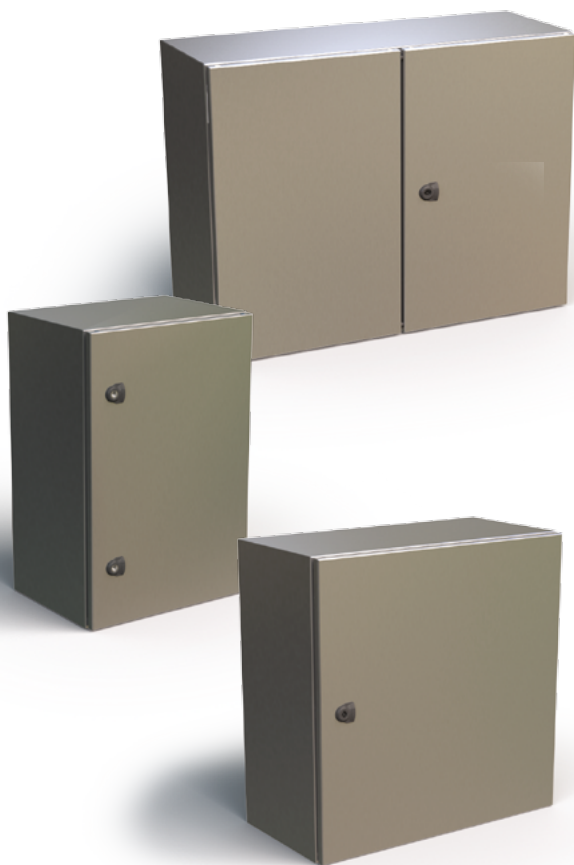
2 F - 2 mm mounting plate with 2 bended edges. 2 FF - 2mm mounting plate with 4 bended edges. 2,5 FF - 2,5mm mounting plate with 4 bended edges.
*Order also bracket ID-W-UB. ** Plinth sheet steel, height 100 mm, RAL7046.

Compact Enclosure, double door, height 1200 – 1400 mm						
Enclosure	H (mm)	1200	1200	1200	1200	1400
	W (mm)	1000	1000	1200	1200	1000
	D (mm)	300	400	300	400	300
Mounting plate	H1 (mm)	1170	1170	1170	1170	1370
	W2 (mm)	950	950	1150	1150	950
Material thickness in mm	Enclosure	1,5	1,5	1,5	1,5	1,5
	Door	2	2	2	2	2
	Mount. plate	2,5 FF	2,5 FF	2,5 FF	2,5 FF	2,5 FF
Quantity	Hinges	3	3	3	3	3
	Bolts	6	6	6	6	6
3-point lock system		+	+	+	+	+
Gland plate	Size	E	E	F	F	E
	Quantity	2	2	2	2	2
Weight in kg		62	66,6	72,7	77,5	71,2
Order code	1 pc	WME-G-221003	WME-G-221004	WME-G-221203	WME-G-221204	WME-G-241003
Accessories						
Rails for interior installation	1 set	ID-W-H12	ID-W-H12	ID-W-H12	ID-W-H12	ID-W-H14
19" fixed extrusions	1 set	-	-	-	-	-
Plinth **	front and rear	1 set	ID-W-PF100	ID-W-PF100	ID-W-PF120	ID-W-PF100
	sides	1 set	ID-W-PS30	ID-W-PS40	ID-W-PS30	ID-W-PS30

2,5 FF - 2,5 mm mounting plate with 4 bended edges.
*Order also bracket ID-W-UB. ** Plinth sheet steel, height 100 mm, RAL7046.

inTEG compact enclosure – stainless steel

:: inTEG compact enclosure – stainless steel



Package includes:

- Single/double-door compact enclosure. Door(s) come with a PUR non-porous gasket and a cam lock or 3-point lock system.
- Perforated mounting rails on door(s) available for enclosures of minimum height 500 mm
- Perforated mounting rails on sides available for enclosures of minimum depth 250 mm
- Mounting plate with labeled 50×50 mm raster
- Accessories for wall mounting

For detailed technical information see pages 41 – 42.

Specifications:

- Material:
 - Enclosure: stainless steel 1.4301 (AISI 304), stainless steel 1.4404 (AISI 316L) available upon request
 - Mounting plate: zinc-plated sheet steel
- Enclosure surface finish: Brushed finish
- Protection degree: IP66 single-door enclosure/IP55 double-door enclosure according to EN 60 529 *
- Mechanical protection: IK10 according to IEC 62262
- Usage: for indoor and outdoor

* IP protection may be changed by installing some accessories

Compact Enclosure, single door, height 300 – 400 mm										
Enclosure	H (mm)	300	300	300	300	300	400	400	400	400
	W (mm)	200	300	300	400	400	300	300	400	600
	D (mm)	155	155	210	155	210	155	210	210	210
Mounting plate	H1 (mm)	270	270	270	270	270	370	370	370	370
	W2 (mm)	150	250	250	350	350	250	250	350	550
Material thickness in mm	Enclosure	1,25	1,25	1,25	1,25	1,25	1,25	1,25	1,25	1,25
	Door	1,5	1,5	1,5	1,5	1,5	1,5	1,5	1,5	1,5
	Mounting plate	2	2	2	2	2	2	2	2	2
Quantity	Hinges	2	2	2	2	2	2	2	2	2
	Cam lock	1	1	1	1	1	1	1	1	1
	Bolts	4	4	4	4	4	4	4	4	4
Weight in kg		3,9	5,5	6,1	6,9	7,7	6,9	7,6	9,5	13,4
Order code	1 pc	WME-X-030215	WME-X-030315	WME-X-030321	WME-X-030415	WME-X-030421	WME-X-040315	WME-X-040321	WME-X-040421	WME-X-040621

Compact Enclosure, single door, height 500 – 600 mm									
Enclosure	H (mm)	500	500	500	600	600	600	600	600
	W (mm)	400	500	500	400	600	600	600	800
	D (mm)	210	210	300	210	210	250	300	300
Mounting plate	H1 (mm)	470	470	470	570	570	570	570	570
	W2(mm)	350	450	450	350	550	550	550	750
Material thickness in mm	Enclosure	1,25	1,25	1,25	1,25	1,5	1,5	1,5	1,5
	Door	1,5	1,5	1,5	1,5	1,5	1,5	1,5	1,5
	Mounting plate	2	2	2	2	2	2	2	2
Quantity	Hinges	2	2	2	2	2	2	2	2
	Cam lock	1	1	1	2	2	2	2	2
	Bolts	4	4	4	4	4	4	4	4
Weight in kg		11,3	13,7	15,5	13,2	20,3	21,4	22,8	29
Order code	1 pc	WME-X-050421	WME-X-050521	WME-X-050503	WME-X-060421	WME-X-060621	WME-X-060625	WME-X-060603	WME-X-060803
Accessories									
Rails for interior installation	1 set	-	-	ID-W-H5	-	-	ID-W-H6	ID-W-H6	ID-W-H6
Door-mounting rails	1 set	ID-W-VD4	ID-W-VD5	ID-W-VD5	ID-W-VD4	ID-W-VD6	ID-W-VD6	ID-W-VD6	ID-W-VD8
19" fixed extrusions	1 set	-	-	-	-	-	ID-W-U12	ID-W-U12	ID-W-U12 *
Interior door	1 pc	-	-	ID-W-ID55	-	-	ID-W-ID66	ID-W-ID66	-
Plinth **	front and rear	1 set	-	-	-	-	-	ID-W-SPF60	ID-W-SPF80
	sides	1 set	-	-	-	-	-	ID-W-SPS30	ID-W-SPS30

*Order also bracket ID-W-UB. **Plinth stainless steel, height 100 mm, RAL7046.

Compact Enclosure, single door, height 700 – 1200 mm									
Enclosure	H (mm)	700	800	800	800	1000	1200	1200	1200
	W (mm)	500	600	600	800	800	800	800	800
	D (mm)	300	250	300	300	300	300	300	400
Mounting plate	H1 (mm)	670	770	770	770	970	1170	1170	1170
	W2(mm)	450	550	550	750	750	750	750	750
Material thickness in mm	Enclosure	1,5	1,5	1,5	1,5	1,5	1,5	1,5	1,5
	Door	1,5	2	2	2	2	2	2	2
	Mounting plate	2	2 F	2 F	2 FF	2 FF	2 FF	2 FF	2 FF
Quantity	Hinges	2	2	2	2	3	3	3	3
	Cam lock	2	2	2	2	-	-	-	-
	3-point lock system	-	-	-	-	+	+	+	+
	Bolts	4	4	4	4	6	6	6	6
Weight in kg		22,3	29,2	31,7	40,2	48,6	57,1	62	62
Order code	1 pc	WME-X-070503	WME-X-080625	WME-X-080603	WME-X-080803	WME-X-100803	WME-X-120803	WME-X-120804	WME-X-120804
Accessories									
Rails for interior installation	1 set	ID-W-H7	ID-W-H8	ID-W-H8	ID-W-H8	ID-W-H10	ID-W-H12	ID-W-H12	ID-W-H12
Door-mounting rails	1 set	ID-W-VD5	ID-W-VD6	ID-W-VD6	ID-W-VD8	ID-W-VD8	ID-W-VD8	ID-W-VD8	ID-W-VD8
19" fixed extrusions	1 set	-	ID-W-U17	ID-W-U17	ID-W-U17*	ID-W-U21*	ID-W-U25*	ID-W-U25*	ID-W-U25*
Interior door	1 pc	ID-W-ID75	ID-W-ID86	ID-W-ID86	ID-W-ID88	ID-W-ID108	ID-W-ID128	ID-W-ID128	ID-W-ID128
Plinth **	front and rear	1 set	-	-	ID-W-SPF60	ID-W-SPF80	ID-W-SPF80	ID-W-SPF80	ID-W-SPF80
	sides	1 set	-	-	ID-W-SPS30	ID-W-SPS30	ID-W-SPS30	ID-W-SPS30	ID-W-SPS40

2 F - 2 mm mounting plate with 2 bended edges. 2 FF - 2mm mounting plate with 4 bended edges.

*Order also bracket ID-W-UB. **Plinth stainless steel, height 100 mm, RAL7046

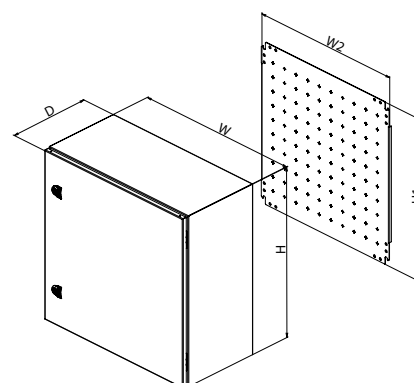
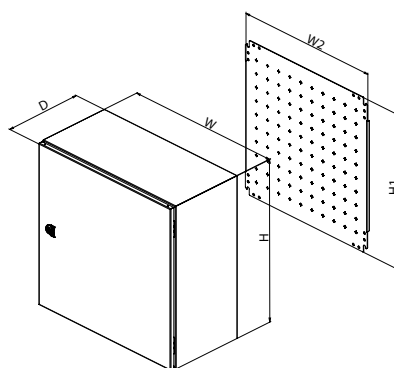
Compact Enclosure, double door, height 1000 – 1200 mm			
Enclosure	H (mm)	1000	1200
	W (mm)	1000	1000
	D (mm)	300	300
Mounting plate	H1 (mm)	970	1170
	W2 (mm)	950	950
Material thickness in mm	Enclosure	1,5	1,5
	Door	2	2
	Mounting plate	2,5 FF	2,5 FF
Quantity	Hinges	3	3
	Bolts for mount. plate	6	6
3-point lock system		+	+
Weight in kg		63,8	74,7
Order code	1 pc	WME-X-201003	WME-X-221003
Accessories			
Rails for interior installation	1 set	ID-W-H10	ID-W-H12
Plinth **	front and rear	1 set	ID-W-SPF100
	sides	1 set	ID-W-SPS30

2,5 FF - 2,5 mm mounting plate with 4 bended edges.

**Plinth stainless steel, height 100 mm, RAL7046.

inTEG compact enclosure – outdoor

:: inTEG compact enclosure – outdoor



Package includes:

- Single-door compact enclosure. Door come with a PUR non-porous gasket and a cam lock(s) or 3-point system for enclosures of minimum height 1000 mm
- Perforated mounting rails on door(s) available for enclosures of minimum height 500 mm
- Perforated mounting rails on sides available for enclosures of minimum depth 250 mm
- Mounting plate with labeled 50×50 mm raster
- Accessories for wall mounting

Specifications:

- Material:
 - Enclosure: stainless steel
 - Mounting plate: zinc-plated sheet steel
- Enclosure surface finish: polyester-powder coat
- Color: RAL7035 for outdoor use
- Protection degree: IP66 according to EN 60 529 *
- Mechanical protection: IK10 according to IEC 62262

For detailed technical information see pages 43 – 44.

* IP protection may be changed by installing some accessories

Compact enclosure, single door, height 300 – 400 mm										
Enclosure	H (mm)	300	300	300	300	300	400	400	400	400
	W (mm)	200	300	300	400	400	300	300	400	600
	D (mm)	155	155	210	155	210	155	210	210	210
Mounting plate	H1 (mm)	270	270	270	270	270	370	370	370	370
	W2 (mm)	150	250	250	350	350	250	250	350	550
Material thickness in mm	Enclosure	1,25	1,25	1,25	1,25	1,25	1,25	1,25	1,25	1,25
	Door	1,5	1,5	1,5	1,5	1,5	1,5	1,5	1,5	1,5
	Mounting plate	2	2	2	2	2	2	2	2	2
Quantity	Hinges	2	2	2	2	2	2	2	2	2
	Cam lock	1	1	1	1	1	1	1	1	1
	Bolts	4	4	4	4	4	4	4	4	4
Weight in kg		3,9	5,5	6,1	6,9	7,7	6,9	7,6	9,5	13,4
Order code	1 pc	WME-0-030215	WME-0-030315	WME-0-030321	WME-0-030415	WME-0-030421	WME-0-040315	WME-0-040321	WME-0-040421	WME-0-040621
Accessories										
Rain canopy	1 pc	ID-W-R2015	ID-W-R3015	ID-W-R3020	ID-W-R4015	ID-W-R4020	ID-W-R3015	ID-W-R3020	ID-W-R4020	ID-W-R6020
Pole-mounting brackets	1 set	ID-W-MP2	ID-W-MP3	ID-W-MP3	ID-W-MP4	ID-W-MP4	ID-W-MP3	ID-W-MP3	ID-W-MP4	ID-W-MP6

Compact Enclosure, single door, height 500 – 600 mm										
Enclosure	H (mm)	500	500	500	600	600	600	600	600	600
	W (mm)	400	500	500	400	400	400	600	600	800
	D (mm)	210	210	300	210	300	210	300	400	300
Mounting plate	H1 (mm)	470	470	470	570	570	570	570	570	570
	W2 (mm)	350	450	450	350	350	550	550	550	750
Material thickness in mm	Enclosure	1,25	1,25	1,25	1,25	1,5	1,5	1,5	1,5	1,5
	Door	1,5	1,5	1,5	1,5	1,5	1,5	1,5	1,5	1,5
	Mount. plate	2	2	2	2	2	2	2	2	2
Quantity	Hinges	2	2	2	2	2	2	2	2	2
	Cam lock	1	1	1	2	2	2	2	2	2
	Bolts	4	4	4	4	4	4	4	4	4
Weight in kg		11,3	13,7	15,5	13,2	16,8	20,3	22,8	25,9	29
Order code	1 pc	WME-O-050421	WME-O-050521	WME-O-050503	WME-O-060421	WME-O-060403	WME-O-060621	WME-O-060603	WME-O-060604	WME-O-060803
Accessories										
Rails for interior installation	1 set	-	-	ID-W-H5	-	ID-W-H6	-	ID-W-H6	ID-W-H6	ID-W-H6
Door-mounting rails	1 set	ID-W-VD4	ID-W-VD5	ID-W-VD5	ID-W-VD4	ID-W-VD4	ID-W-VD6	ID-W-VD6	ID-W-VD6	ID-W-VD8
19" fixed extrusions	1 set	-	-	-	-	-	ID-W-U12	ID-W-U12	ID-W-U12	ID-W-U12 *
Interior door	1 pc	-	-	ID-W-ID55	-	ID-W-ID64	-	ID-W-ID66	ID-W-ID66	-
Plinth **	front and rear	1 set	-	-	-	-	-	ID-W-SPF60	ID-W-SPF60	ID-W-SPF80
	sides	1 set	-	-	-	-	-	ID-W-SPS30	ID-W-SPS40	ID-W-SPS30
Rain canopy	1 pc	ID-W-R4020	ID-W-R5020	ID-W-R5030	ID-W-R4020	ID-W-R4030	ID-W-R6020	ID-W-R6030	ID-W-R6040	ID-W-R8030
Pole-mounting brackets	1 set	ID-W-MP4	ID-W-MP5	ID-W-MP5	ID-W-MP4	ID-W-MP4	ID-W-MP6	ID-W-MP6	ID-W-MP6	-

*Order also bracket ID-W-UB. ** Plinth stainless steel, height 100 mm, RAL7046.

Compact Enclosure, single door, height 700 – 1200 mm										
Enclosure	H (mm)	700	800	800	800	1000	1000	1000	1200	1200
	W (mm)	500	600	600	800	600	600	800	600	800
	D (mm)	300	250	300	300	300	400	400	300	400
Mounting plate	H1 (mm)	670	770	770	770	970	970	970	1170	1170
	W2 (mm)	450	550	550	750	550	550	750	550	750
Material thickness in mm	Enclosure	1,5	1,5	1,5	1,5	1,5	1,5	1,5	1,5	1,5
	Door	1,5	2	2	2	2	2	2	2	2
	Mount. plate	2	2 F	2 F	2 FF	2 F	2 F	2 FF	2 FF	2 FF
Quantity	Hinges	2	2	2	2	3	3	3	3	3
	Cam lock	2	2	2	2	-	-	-	-	-
	3-point lock system	-	-	-	-	+	+	+	+	+
	Bolts	4	4	4	4	4	4	6	6	6
Weight in kg		22,3	29,2	31,7	40,2	38,4	42,4	53,1	45	62
Order code	1 pc	WME-O-070503	WME-O-080625	WME-O-080603	WME-O-080803	WME-O-100603	WME-O-100604	WME-O-100804	WME-O-120603	WME-O-120804
Accessories										
Rails for interior installation	1 set	ID-W-H7	ID-W-H8	ID-W-H8	ID-W-H8	ID-W-H10	ID-W-H10	ID-W-H10	ID-W-H12	ID-W-H12
Door-mounting rails	1 set	ID-W-VD5	ID-W-VD6	ID-W-VD6	ID-W-VD8	ID-W-VD6	ID-W-VD6	ID-W-VD8	ID-W-VD6	ID-W-VD8
19" fixed extrusions	1 set	-	ID-W-U17	ID-W-U17	ID-W-U17*	ID-W-U21	ID-W-U21	ID-W-U21*	ID-W-U25	ID-W-U25*
Interior door	1 pc	ID-W-ID75	ID-W-ID86	ID-W-ID86	ID-W-ID88	ID-W-ID106	ID-W-ID106	ID-W-ID108	ID-W-ID126	ID-W-ID128
Plinth **	front and rear	1 set	-	-	ID-W-SPF60	ID-W-SPF80	ID-W-SPF60	ID-W-SPF60	ID-W-SPF80	ID-W-SPF60
	sides	1 set	-	-	ID-W-SPS30	ID-W-SPS30	ID-W-SPS30	ID-W-SPS40	ID-W-SPS40	ID-W-SPS30
Rain canopy	1 pc	ID-W-R5030	ID-W-R6025	ID-W-R6030	ID-W-R8030	ID-W-R6030	ID-W-R6040	ID-W-R8040	ID-W-R6030	ID-W-R8040
Pole-mounting brackets	1 set	ID-W-MP5	ID-W-MP6	ID-W-MP6	-	ID-W-MP6	ID-W-MP6	-	ID-W-MP6	-

2 F - 2 mm mounting plate with 2 bended edges. 2 FF - 2 mm mounting plate with 4 bended edges.

*Order also bracket ID-W-UB. ** Plinth stainless steel, height 100 mm, RAL7046.

Recommended Accessories

Rain Canopy



Pole-Mounting Brackets



More information on page 29.

Accessories

Rails for Interior Installation

Package Includes:

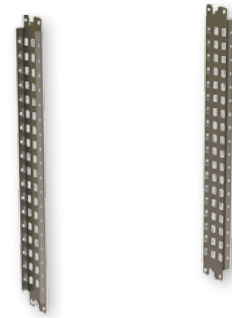
- Rails for interior installation and all necessary assembly parts

Specifications:

- Material: 2 mm zinc-plated sheet steel with 25 mm perforation
- Installation: on interior horizontal rails which are part of enclosure
- Usage: available for enclosures of minimum depth 250 mm

For enclosure height in mm	Package	Order code
400	1 set	ID-W-H4
500	1 set	ID-W-H5
600	1 set	ID-W-H6
700	1 set	ID-W-H7
800	1 set	ID-W-H8
1000	1 set	ID-W-H10
1200	1 set	ID-W-H12
1400	1 set	ID-W-H14

1 set = 2 pcs



19" Fixed Extrusions

Package includes:

- 19" fixed extrusions and all necessary assembly parts

Specifications:

- Material: 2 mm zinc-plated sheet steel
- Installation: on interior rails which are part of enclosure or on ID-W-UB brackets for 800 mm wide enclosures
- Usage: available for enclosures of minimum depth 250 mm and width 600 and 800 mm

For enclosure height in mm	Package	Order code
400 (8U)	1 set	ID-W-U8
600 (12U)	1 set	ID-W-U12
800 (17U)	1 set	ID-W-U17
1000 (21U)	1 set	ID-W-U21
1200 (25U)	1 set	ID-W-U25

1 set = 2 pcs

For enclosure width 800 mm order bracket ID-W-UB, package includes 4 pcs.



Door-Mounting Rails

Package includes:

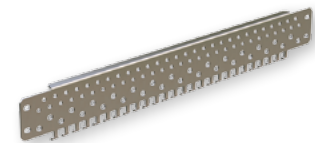
- Door-mounting rails and all necessary assembly parts

Specifications:

- Material: 2 mm zinc-plated sheet steel
- Instalace: on interior rails which are part of enclosure
- Usage: available for enclosures of minimum height 500 mm

For enclosure width in mm	Package	Order code
300	1 set	ID-W-VD3
400	1 set	ID-W-VD4
500	1 set	ID-W-VD5
600	1 set	ID-W-VD6
800	1 set	ID-W-VD8

1 set = 2 pcs



Mounting Plate

Package includes:

- Mounting plate with labeled 50x50 mm raster (assembly parts are included in enclosure accessories)

Specifications:

- Material: zinc-plated sheet steel

For enclosure size HxW in mm	Material thickness in mm	Order code
300x200	2	ID-W-SP3020
300x250	2	ID-W-SP3025
300x300	2	ID-W-SP3030
300x400	2	ID-W-SP3040
400x300	2	ID-W-SP4030
400x400	2	ID-W-SP4040
400x600	2	ID-W-SP4060
500x300	2	ID-W-SP5030
500x400	2	ID-W-SP5040
500x500	2	ID-W-SP5050

For enclosure size HxW in mm	Material thickness in mm	Order code
600x400	2	ID-W-SP6040
600x500	2	ID-W-SP6050
600x600	2	ID-W-SP6060
600x800	2	ID-W-SP6080
700x500	2	ID-W-SP7050
800x600	2F	ID-W-SP8060
800x800	2FF	ID-W-SP8080
800x1000	2FF	ID-W-SP8010
800x1200	2FF	ID-W-SP8012
1000x600	2F	ID-W-SP1060
1000x800	2FF	ID-W-SP1080
1000x1000	2,5 FF	ID-W-SP1010
1000x1200	2,5 FF	ID-W-SP1012
1200x600	2,5 FF	ID-W-SP1260
1200x800	2,5 FF	ID-W-SP1280
1200x1000	2,5 FF	ID-W-SP1210
1200x1200	2,5 FF	ID-W-SP1212
1400x1000	2,5 FF	ID-W-SP1410



2 F - 2 mm mounting plate with 2 bended edges.
2 FF - 2 mm mounting plate with 4 bended edges.
2,5 FF - 2,5 mm mounting plate with 4 bended edges.

Brackets for Adjusting Mounting Plate

Package includes:

- Brackets and all necessary assembly parts

Specifications:

- Material: 2 mm zinc-plated sheet steel
- Installation: on interior rails which are part of enclosure
- Usage: available for enclosures of minimum depth 250 mm

Package	Order code
4 pcs	ID-W-AMB

Only for enclosures with 4 bolts.



Interior Door

Package includes:

- Interior door and all necessary assembly parts

Specifications:

- Material: 1.5 mm sheet steel
- Surface finish: epoxypolyester-powder coat
- Protection degree: IP20
- Color: RAL7035
- Installation: on interior rails which are part of enclosure
- Usage: available for single-door enclosures of minimum depth 250 mm
- Lock: 3 mm double bar (2 or 3 hinges)
- Load: 20 kg

For enclosure size HxW in mm	Order code
500×400	ID-W-ID54
500×500	ID-W-ID55
600×400	ID-W-ID64
600×500	ID-W-ID65
600×600	ID-W-ID66
700×500	ID-W-ID75
800×600	ID-W-ID86
800×800	ID-W-ID88
1000×600	ID-W-ID106
1000×800	ID-W-ID108
1200×600	ID-W-ID126
1200×800	ID-W-ID128



Viewing Door

Package includes:

- External viewing door and all necessary assembly parts

Specifications:

- Material: 1.5 mm sheet steel with 4 mm clear-tempered glass viewing window according to EN 12150
- Surface finish: epoxypolyester-powder coat
- Color: RAL7035
- Lock: 3mm double bar, 2 or 3 hinges
- Installation: on interior rails which are part of enclosure

For enclosure size HxW in mm	Order code
400×300	ID-W-TD43
400×400	ID-W-TD44
500×400	ID-W-TD54
500×500	ID-W-TD55
600×400	ID-W-TD64
600×500	ID-W-TD65
600×600	ID-W-TD66
700×500	ID-W-TD75
800×600	ID-W-TD86
800×800	ID-W-TD88
1000×600	ID-W-TD106
1000×800	ID-W-TD108
1200×600	ID-W-TD126
1200×800	ID-W-TD128



Locks/Lock Inserts



Type	Material	Package	Order code
Spare cam lock inTEG	-	1 set*	ID-W-INSS
Lock for inTEG, key 5333	chrome-plated zamak	1 set**	ID-W-INLK
Lock for inTEG, key 5333	chrome-plated zamak	1 set**	ID-W-INLK1
5 mm "Double bar"	black zamak	1 pc	ID-W-IND5
6 mm square	black zamak	1 pc	ID-W-INS6
7 mm square	black zamak	1 pc	ID-W-INS7
8 mm square	black zamak	1 pc	ID-W-INS8
7 mm triangular	black zamak	1 pc	ID-W-INT7
8 mm triangular	black zamak	1 pc	ID-W-INT8
9 mm triangular	black zamak	1 pc	ID-W-INT9

* Complete set of cam lock for inTEG with 3mm double bar.

** Complete set of metal cam lock with euro key 5333.



Double bit



Square



Triangular

Plinths

Package includes:

- Plinths and all necessary assembly parts (set ID-W-PFxx / ID-W-PSxx or ID-W-SPFxx / ID-W-SPSxx)

Specifications:

- Height: 100 mm
- Material: 2 mm zinc-plated sheet steel
- stainless steel 403
- Surface finish
 - Sheet steel: epoxypolyester-powder coat
 - Stainless steel: polyester-powder coat



Plinth steel – front and rear kit				
For enclosure width in mm	Material	Color	Package	Order number
600	steel	RAL7046	1 set	ID-W-PF60
800	steel	RAL7046	1 set	ID-W-PF80
1000	steel	RAL7046	1 set	ID-W-PF100
1200	steel	RAL7046	1 set	ID-W-PF120
600	steel	RAL7035	1 set	ID-W-PF60G
800	steel	RAL7035	1 set	ID-W-PF80G
1000	steel	RAL7035	1 set	ID-W-PF100G
1200	steel	RAL7035	1 set	ID-W-PF120G

1 set includes: 1x front part, 1x rear part, mounting accessories

Plinth steel – side kit				
For enclosure width in mm	Material	Color	Package	Order number
300	steel	RAL7046	1 set	ID-W-PS30
400	steel	RAL7046	1 set	ID-W-PS40
300	steel	RAL7035	1 set	ID-W-PS30G
400	steel	RAL7035	1 set	ID-W-PS40G

1 set includes: 2x side part, mounting accessories

Plinth stainless – front and rear kit				
For enclosure width in mm	Material	Color	Package	Order code
600	stainless	RAL7046	1 set	ID-W-SPF60
800	stainless	RAL7046	1 set	ID-W-SPF80
1000	stainless	RAL7046	1 set	ID-W-SPF100
1200	stainless	RAL7046	1 set	ID-W-SPF120
600	stainless	RAL7035	1 set	ID-W-SPF60G
800	stainless	RAL7035	1 set	ID-W-SPF80G
1000	stainless	RAL7035	1 set	ID-W-SPF100G
1200	stainless	RAL7035	1 set	ID-W-SPF120G

1 set includes: 1x front part, 1x rear part, mounting accessories

PPlinth stainless – side kit				
For enclosure width in mm	Material	Color	Package	Order code
300	stainless	RAL7046	1 set	ID-W-SPS30
400	stainless	RAL7046	1 set	ID-W-SPS40
300	stainless	RAL7035	1 set	ID-W-SPS30G
400	stainless	RAL7035	1 set	ID-W-SPS40G

1 set includes: 2x side part, mounting accessories

Wall-Mounting Brackets

Package includes:

- Wall-mounting brackets and all necessary assembly parts for mounting to the enclosure

Package	Order code
4 pcs	ID-W-WB

Specifications:

- Material: 3 mm stainless steel
- Load: 100 kg



Pole-Mounting Brackets

Package includes:

- Pole-mounting brackets and all necessary assembly parts (2 profile rails, 2 clamping straps (l=850 mm), 8 set: screws M8 x 12, self-locking nuts and washers adhesion)

Specifications:

- Material: 2 mm stainless steel
- Installation: for poles that are 250 mm in diameter
- Load: 200 kg

For enclosure width in mm	Order code
200	ID-W-MP2
250	ID-W-MP25
300	ID-W-MP3
400	ID-W-MP4
500	ID-W-MP5
600	ID-W-MP6



Rain Canopy

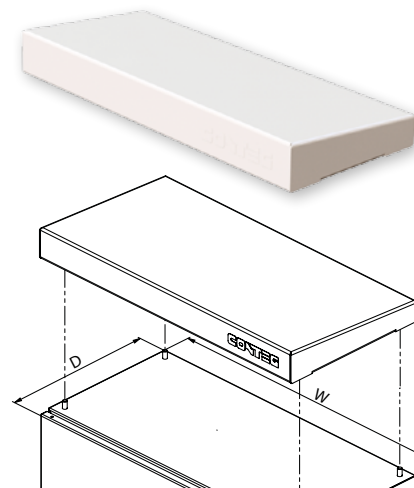
Package includes:

- Rain canopy and all necessary assembly parts

Specifications:

- Material: 2 mm aluminum sheet
- Surface finish: polyester-powder coat
- Color: RAL7035
- Mounting: direct on the top, 4x M6 screws
- Optional direction of the roof slope

For enclosure size WxD in mm	Order code
200x155	ID-W-R2015
300x155	ID-W-R3015
300x210	ID-W-R3020
400x155	ID-W-R4015
400x210	ID-W-R4020
400x300	ID-W-R4030
500x210	ID-W-R5020
500x300	ID-W-R5030
600x210	ID-W-R6020
600x250	ID-W-R6025
600x300	ID-W-R6030
600x400	ID-W-R6040
800x300	ID-W-R8030
800x400	ID-W-R8040



Door Stop

Specifications:

- Material: 2 mm zinc-plated sheet steel
- Usage: available for enclosures of minimum height 500 mm and depth 250 mm

Door Switch

Specifications:

- Material – brackets: 2 mm zinc-plated sheet steel
- Door switch: IP65, plastic, 1NO + 1NC, PG13,5, - 25°C to +70°C
- Usage: available for enclosures of minimum height 500 mm and depth 250 mm

Pocket for Documents

Specifications:

- Material: ABS
- Color: RAL7035
- Dimensions: 234×241×31 mm (H×W×D)
- Mounting: with self-adhesive tape

Earthing

Package includes:

- D-W-EK: complete earthing kit for enclosure
- ID-W-EW68/ EW88/ EW8816: 300 mm cable length with crimped lugs

Lighting Unit

Package includes:

- Lighting unit and inter/connection-cables
- Bracket for installation on mounting plate
- Depth adjustment is possible

Drainage Device

Specifications:

- Material: plastic according to UL94 V-0, umbra grey, waterproof with UV protection
- Protection degree: IP67
- Sealing: NBR
- Dimensions: Ø 60×49,5 mm, 17,5 mm inside enclosure

Pressure Compensator

Specifications:

- Mounting: PG 29 thread with union nut
- Fitting position: vertical¹
- Material: plastic according to UL94 V-0, light grey RAL7035

Package	Order code
1 pc	ID-W-DS

Package includes:

- Door stop and all necessary assembly parts



Package	Order code
1 pc	ID-W-DC

Package includes:

- Door switch and all necessary assembly parts



Package	Order code
1 pc	ID-PO-A4

Package includes:

- Plastic pocket for documents and adhesive tape



Type	Package	Order code
Complete earthing kit inTEG WME	1 set	ID-W-EK
Grounding wires M6, M8 (door, enclosure), cross-section 10 mm ²	10 pcs	ID-W-EW68
Grounding wires M8, M8 (enclosure, mounting plate), cross-section 10 mm ²	10 pcs	ID-W-EW88
Grounding wires M8, M8 (enclosure, mounting plate), cross-section 16 mm ²	10 pcs	ID-W-EW8816

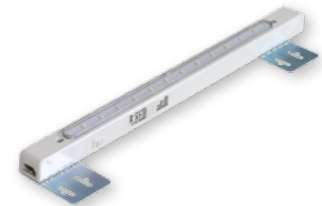
Set includes: nuts, screws for earthing door(s), enclosure and mounting plate.



Tech. information	Package	Order code
3W, 230 W, 50 Hz	1 pc	ID-W-L

Specifications:

- Protection degree: IP20
- Mounting: on mounting plate or inner side rails
- LED technology, 12 light spots
- Dimensions: 400×26×27 mm (W×H×D)



Package	Order code
1 pc	ID-EO-DD

- Water flow rate: 200 ml/hour
- Mounting: vertically at the lowest point, thread M50×1.5 with nut



Package	Order code
2 pc	ID-EO-PC

- Protection degree: IP 55
- Dimensions: Ø 65,5×30,5 mm



¹ Protection type is restricted to IP54 if fitting position of pressure compensator is not vertical.

Full-Metal Gland Plate

Package includes:

- Full-metal gland plate, sealing and all necessary assembly parts

Specifications:

- Material: 1.5 mm sheet steel
- Surface finish: epoxypolyester-powder coat
- Protection degree: IP66
- Color: RAL7035
- Mounting: on the enclosure bottom

Size	Dimensions WxD in mm	Package	Order code
A	90x150	1 pc	ID-W-CG01A
B	90x250	1 pc	ID-W-CG01B
C	140x250	1 pc	ID-W-CG01C
D	140x350	1 pc	ID-W-CG01D
E	140x450	1 pc	ID-W-CG01E
F	140x550	1 pc	ID-W-CG01F



For detailed technical information see page 44.

Gland Plate with Cable-Entry Frame and Cable Inserts

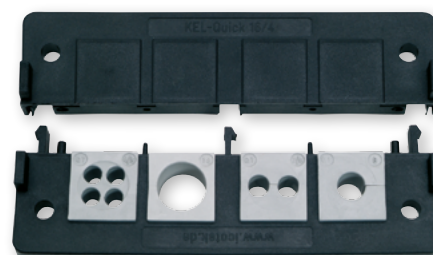
Package includes:

- Punched gland plate with cable-entry frame

Specifications:

- Material:
 - Gland plate: sheet steel
 - Cable inserts: elastomer, UL94-V0, self-extinguishing
 - Cable-entry frame: polyamid UL-94 V0, self-extinguishing
- Cable-entry frame dimension: 120x58 mm, 8 slots for cable inserts ID-W-CExx
- Protection degree: IP54
- Cable quantity: see table, depends on selected cable inserts ID-W-CExx
- Mounting: in the opening at the bottom of enclosure instead of full metal gland plate

Cable inserts		
Ø in mm	Package	Order code
Cable blind ID-W-CG02x	1 pc	ID-W-CEP
3-4	1 pc	ID-W-CE3
4-5	1 pc	ID-W-CE4
5-6	1 pc	ID-W-CE5
6-7	1 pc	ID-W-CE6
7-8	1 pc	ID-W-CE7
8-9	1 pc	ID-W-CE8
9-10	1 pc	ID-W-CE9
10-11	1 pc	ID-W-CE10
11-12	1 pc	ID-W-CE11
12-13	1 pc	ID-W-CE12
13-14	1 pc	ID-W-CE13
14-15	1 pc	ID-W-CE14
2x3	1 pc	ID-W-CE2/3
2x4	1 pc	ID-W-CE2/4
2x5	1 pc	ID-W-CE2/5
2x5,5	1 pc	ID-W-CE2/5,5
2x6	1 pc	ID-W-CE2/6
2x6,5	1 pc	ID-W-CE2/6,5
2x7	1 pc	ID-W-CE2/7
4x3	1 pc	ID-W-CE4/3
4x4	1 pc	ID-W-CE4/4
4x4,5	1 pc	ID-W-CE4/4,5
4x5	1 pc	ID-W-CE4/5
4x5,5	1 pc	ID-W-CE34/5,5
4x6	1 pc	ID-W-CE4/6



Gland plate with cable-entry frame				
Gland plate size	Cable entry frame WxD in mm	Quantity of inserts ID-W-CExx	Pack.	Order code
B	120x58	8	1 pc	ID-W-CG02B
C	120x58	8	1 pc	ID-W-CG02C
D	120x58	8	1 pc	ID-W-CG02D
E	120x58	8	1 pc	ID-W-CG02E
F	120x58	8	1 pc	ID-W-CG02F

Gland Plate with Cable-Entry Plate

Package includes:

- Punched gland plate with cable-entry plate

Specifications:

- Material:
 - Gland plate: sheet steel
 - Cable-entry plate: polyamide/elastomer, UL94-V0, self-extinguishing
- Protection degree: IP64
- Cable quantity:
 - Cable-entry plate 21/19: 12x max. 6.5 mm; 7x 2.1 mm (dimension 142x44mm)
 - Cable-entry plate 24/48: 48x max. 6.5 mm (dimension 142x44 mm)
- Mounting: in the opening at the bottom of enclosure instead of full metal gland plate

Size	Cable entry plate	Package	Order code
B	24/19	1 pc	ID-W-CG04B
C	24/19	1 pc	ID-W-CG04C
D	24/19	1 pc	ID-W-CG04D
E	24/19	1 pc	ID-W-CG04E
F	24/19	1 pc	ID-W-CG04F
B	24/48	1 pc	ID-W-CG05B
C	24/48	1 pc	ID-W-CG05C
D	24/48	1 pc	ID-W-CG05D
E	24/48	1 pc	ID-W-CG05E
F	24/48	1 pc	ID-W-CG05F



Gland Plate with Round Cable-Entry Plate

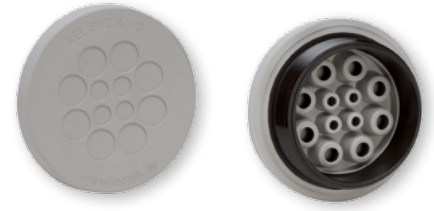
Package includes:

- Punched gland plate with round cable-entry plate

Specifications:

- Material:
 - Gland plate: sheet steel
 - Round cable-entry plate: polyamide/ elastomer UL94-V0, self-extinguishing
- Protection degree: IP66
- Cable quantity: 7×3.2-6.5 mm; 2×5.0-10.2 mm; 1×16.0 – 22.2 mm

Size	Round cable entry plate	Package	Order code
B	50/10	1 pc	ID-W-CG03B
C	50/10	1 pc	ID-W-CG03C
D	50/10	1 pc	ID-W-CG03D
E	50/10	1 pc	ID-W-CG03E
F	50/10	1 pc	ID-W-CG03F



- Mounting: in the opening at the bottom of enclosure instead of full-metal gland plate

Cable Glands and Nuts with Pg/Metric Thread

Specifications:

- Material: Polyamide PA6, sealing CR (neoprene)
- Protection degree: IP68
- Color: RAL7035



Description	Thread/size	Ø of cable in mm	Package	Order code
Cable gland Pg7	Pg7	2,5 – 6,5	10 pcs	ORO-PG7N
Cable gland Pg9	Pg9	3 – 8	5 pcs	ORO-PG9N
Cable gland Pg11	Pg11	4 – 10	5 pcs	ORO-PG11N
Cable gland Pg13	Pg13	5,5 – 12	5 pcs	ORO-PG13N
Cable gland Pg16	Pg16	8,5 – 14	5 pcs	ORO-PG16N
Cable gland Pg21	Pg21	11 – 18	5 pcs	ORO-PG21N
Cable gland Pg29	Pg29	17 – 25	5 pcs	ORO-PG29N
Cable gland Pg36	Pg36	22 – 33	1 pc	ORO-PG36N
Cable gland Pg42	Pg42	28 – 38	1 pc	ORO-PG42N
Cable gland Pg48	Pg48	32 – 44	1 pc	ORO-PG48N
Plastic lock nut Pg7	Pg7	-	10 pcs	ORO-ZPG7N
Plastic lock nut Pg9	Pg9	-	5 pcs	ORO-ZPG9N
Plastic lock nut Pg11	Pg11	-	5 pcs	ORO-ZPG11N
Plastic lock nut Pg13	Pg13	-	5 pcs	ORO-ZPG13N
Plastic lock nut Pg16	Pg16	-	5 pcs	ORO-ZPG16N
Plastic lock nut Pg21	Pg21	-	5 pcs	ORO-ZPG21N
Plastic lock nut Pg29	Pg29	-	5 pcs	ORO-ZPG29N
Plastic lock nut Pg36	Pg36	-	1 pcs	ORO-ZPG36N
Plastic lock nut Pg42	Pg42	-	1 pc	ORO-ZPG42N
Plastic lock nut Pg48	Pg48	-	1 pc	ORO-ZPG48N
Cable gland M12×1,5	M12×1,5	2,5 – 6,5	10 pcs	ORO-M12N
Cable gland M16×1,5	M16×1,5	4,5 - 10	5 pcs	ORO-M16N
Cable gland M20×1,5	M20×1,5	7 – 13	5 pcs	ORO-M20N
Cable gland M25×1,5	M25×1,5	10 – 17	5 pcs	ORO-M25N
Cable gland M32×1,5	M32×1,5	17 – 25	5 pcs	ORO-M32N
Plastic lock nut M12×1,5	M12×1,5	-	10 pcs	ORO-ZM12N
Plastic lock nut M16×1,5	M16×1,5	-	5 pcs	ORO-ZM16N
Plastic lock nut M20×1,5	M20×1,5	-	5 pcs	ORO-ZM20N
Plastic lock nut M25×1,5	M25×1,5	-	5 pcs	ORO-ZM25N
Plastic lock nut M32×1,5	M32×1,5	-	5 pcs	ORO-ZM32N

Baying Kit



Package includes:

- Baying kit and all necessary assembly parts

Minimum dimensions of enclosure panel HxD in mm	External dimensions of seal HxD in mm	Maximal cutout HxD in mm	Package	Order code
400×300	320×220	240×140	1 set	ID-W-ROW4030
400×400	320×320	240×240	1 set	ID-W-ROW4040
600×250	520×170	440×90	1 set	ID-W-ROW6025
600×300	520×220	440×140	1 set	ID-W-ROW6030
600×400	520×320	440×240	1 set	ID-W-ROW6040
700×250	620×170	540×90	1 set	ID-W-ROW7025
700×300	620×220	540×140	1 set	ID-W-ROW7030
700×400	620×320	540×240	1 set	ID-W-ROW7040

Specifications:

- Sealing material: polyethylene foam PN01
- Sealing: 15 mm width and 10 mm thick
- Meets protection degree IP55

Safety warning signs

:: Safety warning signs

Specifications:

- Material: Oracal 640 adhesive foil, easy to stick on smooth surfaces
- Print: UV LED technology

Individual labeling, company logo, customized dimension or warning signs in different languages available upon request.

Danger: electric shock risk



H in mm	W in mm	Pack.	Order code
105	74	1 set	ID-05-H1007-1
74	52	1 set	ID-05-H0705-1
30	90	1 set	ID-05-H0309-1

1 set = 5 pcs



Do not extinguish with water or foam

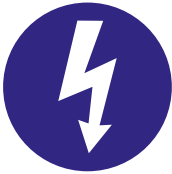


H in mm	W in mm	Pack.	Order code
105	74	1 set	ID-05-F1007-1
74	52	1 set	ID-05-F0705-1
30	90	1 set	ID-05-F0309-1

1 set = 5 pcs



Switch off in case of emergency

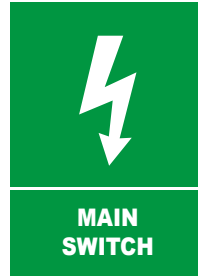


H in mm	W in mm	Pack.	Order code
105	74	1 set	ID-05-G1007-1
74	52	1 set	ID-05-G0705-1
30	90	1 set	ID-05-G0309-1

1 set = 5 pcs



Main switch



H in mm	W in mm	Pack.	Order code
105	74	1 set	ID-05-E1007-1
74	52	1 set	ID-05-E0705-1
30	90	1 set	ID-05-E0309-1

1 set = 5 pcs



Multiple messages – danger: electric shock risk; do not extinguish with water or foam

H in mm	W in mm	Pack.	Order code
74	105	1 set	ID-05-B0710-1

1 set = 5 pcs



Multiple messages – main switch; switch off in case of emergency

H in mm	W in mm	Pack.	Order code
74	105	1 set	ID-05-C0710-1

1 set = 5 pcs



Multiple messages



H in mm	W in mm	Pack.	Order code
148	105	1 set	ID-05-D1410-1
105	74	1 set	ID-05-D1007-1

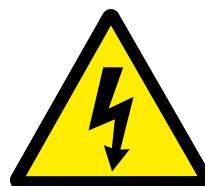
1 set = 5 pcs



Danger

H in mm	W in mm	Pack.	Order code
80	90	1 set	ID-05-A0809-1
60	67,5	1 set	ID-05-A0606-1

1 set = 5 pcs



Climate Control Solution for Enclosures

Filter Fans



Advantages

- Mount without screws into square openings using elastic clips
- Replace the filter membrane from the outside without tools
- Reversible airflow direction
- Airflow up to 800 m³/h
- Installation for plates that are between 1 mm and 2.5 mm thick
- IP54 standard protection degree
- Wall- and top-mounting options
- Operational temperature range from -10 °C to +70 °C
- Permanent sealing gasket in polyurethane foam
- UV protection

Technical Specifications

- Material made of plastic parts (ABS/PC); all parts made of self-extinguishing material according to UL 94V-0
- Standard color: RAL7035 (other colors available upon request)
- Filter media in thermo-linked progressive structure synthetic fiber-filter class G3 according to EN 779; filter class G4
- Washable filter mats
- Shielded and self-lubricating ball-bearing fans
- IP54 standard protection degree according to EN 60529 a NEMA 12 according to UL 50
- IP55 on request
- IP56 by using hose-proof cover
- EMC version available upon request

Air-Conditioning Units



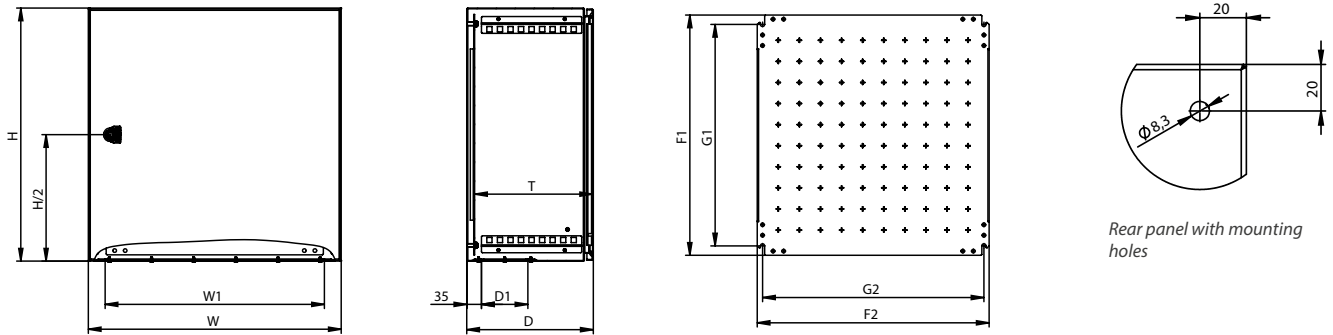
Advantages

- Cooling capacity ranges from 200 W to 4000 W
- Maintenance-free = no filter mats
- Better performance and reliability thanks to wide-ribbed aluminum condenser
- Environmentally friendly – refrigerant R134a
- Steel sheet/stainless steel housing
- Easy regulation and monitoring
- Fast and easy installation
- High-quality components (i.e. Mitsubishi Electric rotary piston compressor) help cooling units run smoothly and last a long time
- Transport units in any position
- Worldwide certification (UL, CUL, CE)

For more information, see our product catalog "Climate control solution" on www.conteg.com or contact our sales representatives.

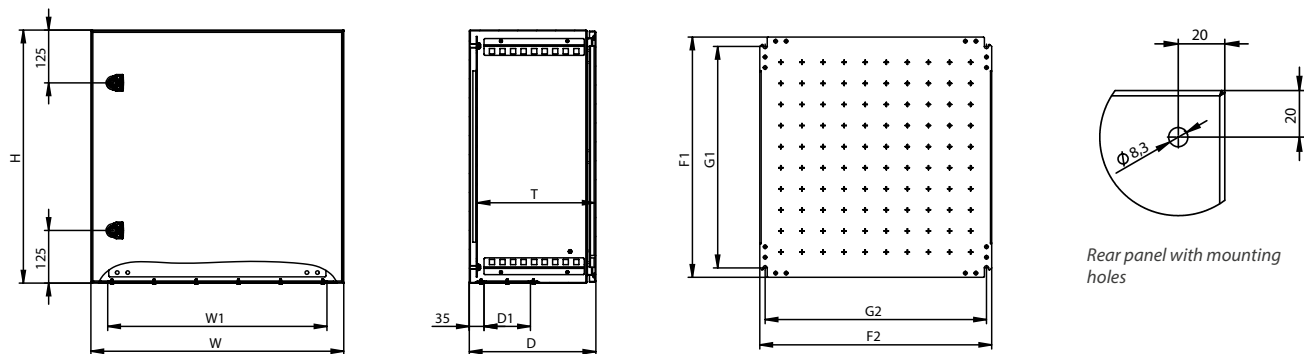
Technical drawings

inTEG Compact Enclosure – Sheet Steel, single-door with one cam lock



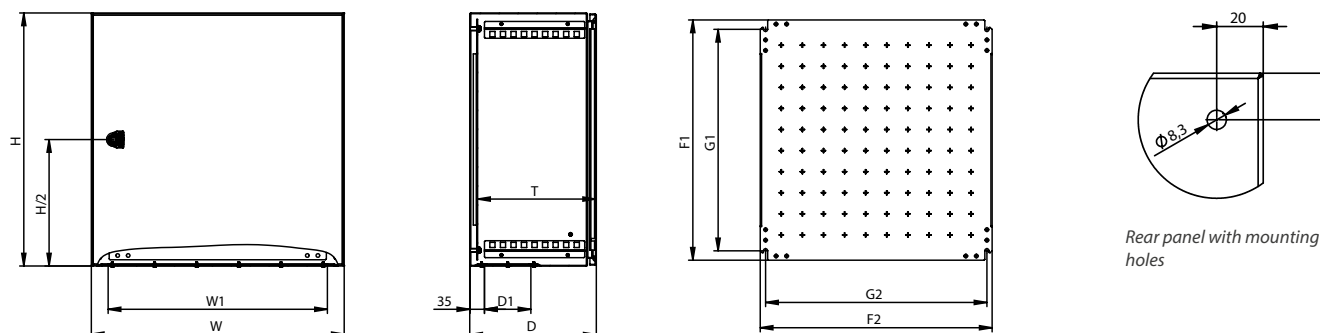
Enclosure order code	Height in mm H	Width in mm W	Depth in mm		Mounting plate in mm				Material thickness in mm			Gland plate		Cable entry	
			D	T	F1	F2	G1	G2	Enclosure	Door	Mount. plate	Size	Quantity	W1	D1
WME-030215	300	200	155	135	270	150	225	125	1,25	1,5	2,0	A	1	120	60
WME-032515	300	250	155	135	270	200	225	175	1,25	1,5	2,0	A	1	120	60
WME-030315	300	300	155	135	270	250	225	225	1,25	1,5	2,0	B	1	220	60
WME-030321	300	300	210	190	270	250	225	225	1,25	1,5	2,0	C	1	220	110
WME-030415	300	400	155	135	270	350	225	325	1,25	1,5	2,0	B	1	220	60
WME-030421	300	400	210	190	270	350	225	325	1,25	1,5	2,0	D	1	320	110
WME-040315	400	300	155	135	370	250	325	225	1,25	1,5	2,0	B	1	220	60
WME-040321	400	300	210	190	370	250	325	225	1,25	1,5	2,0	C	1	220	110
WME-040421	400	400	210	190	370	350	325	325	1,25	1,5	2,0	D	1	320	110
WME-040621	400	600	210	190	370	550	325	525	1,25	1,5	2,0	F	1	520	110
WME-040625	400	600	250	230	370	550	325	525	1,25	1,5	2,0	F	1	520	110
WME-050321	500	300	210	190	470	250	425	325	1,25	1,5	2,0	C	1	220	110
WME-050421	500	400	210	190	470	350	425	325	1,25	1,5	2,0	D	1	320	110
WME-050425	500	400	250	230	470	350	425	325	1,25	1,5	2,0	D	1	320	110
WME-050521	500	500	210	190	470	450	425	425	1,25	1,5	2,0	E	1	420	110
WME-050503	500	500	300	280	470	450	425	425	1,25	1,5	2,0	E	1	420	110
WME-060421	600	400	210	190	570	350	525	325	1,25	1,5	2,0	D	1	320	110
WME-060425	600	400	250	230	570	350	525	325	1,50	2,0	2,0	D	1	320	110
WME-060403	600	400	300	280	570	350	525	325	1,50	2,0	2,0	D	1	320	110
WME-060525	600	500	250	230	570	450	525	425	1,50	2,0	2,0	E	1	420	110
WME-060621	600	600	210	190	570	550	525	525	1,50	2,0	2,0	F	1	520	110
WME-060625	600	600	250	230	570	550	525	525	1,50	2,0	2,0	F	1	520	110
WME-060603	600	600	300	280	570	550	525	525	1,50	2,0	2,0	F	1	520	110
WME-060604	600	600	400	380	570	550	525	525	1,50	2,0	2,0	F	1	520	110
WME-060825	600	800	250	230	570	750	525	725	1,50	2,0	2,0	F	1	520	110
WME-060803	600	800	300	280	570	750	525	725	1,50	2,0	2,0	F	1	520	110

inTEG Compact Enclosure – Sheet Steel, single-door with two cam locks



Enclosure	Height in mm order code	Width in mm W	Depth in mm			Mounting plate in mm				Material thickness in mm			Gland plate		Cable entry	
			D	T		F1	F2	G1	G2	Enclosure	Door	Mount. plate	Size	Quantity	W1	D1
WME-070521	700	500	210	190		670	450	625	425	1,50	2,0	2,0	E	1	420	110
WME-070503	700	500	300	280		670	450	625	425	1,50	2,0	2,0	E	1	420	110
WME-080625	800	600	250	230		770	550	725	525	2,0	2,0	2,0	F	1	520	110
WME-080603	800	600	300	280		770	550	725	525	2,0	2,0	2,0	F	1	520	110
WME-080604	800	600	400	380		770	550	725	525	2,0	2,0	2,0	F	1	520	110
WME-080803	800	800	300	280		770	750	725	725	2,0	2,0	2,0	F	1	520	110
WME-080804	800	800	400	380		770	750	725	725	2,0	2,0	2,0	F	1	520	110

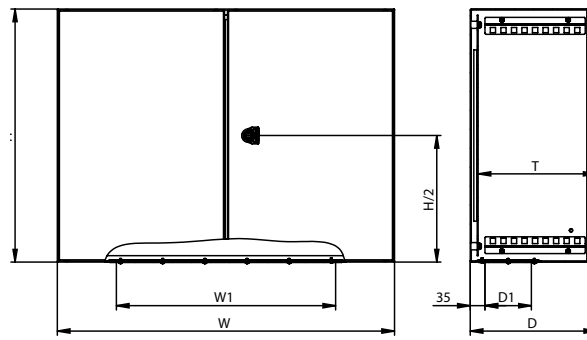
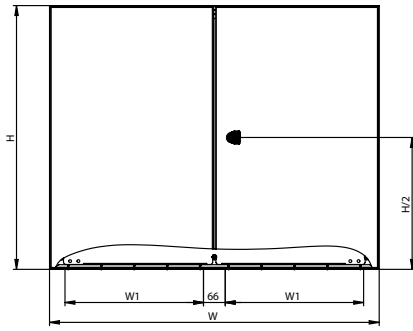
inTEG Compact Enclosure – Sheet Steel, single-door with 3-point lock system



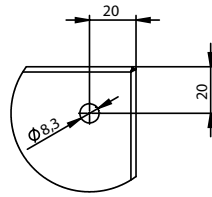
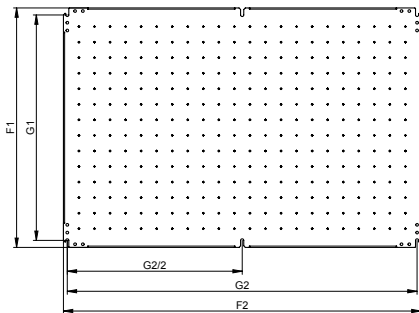
Enclosure order code	Height in mm H	Width in mm W	Depth in mm		Mounting plate in mm				Material thickness in mm			Gland plate		Cable entry	
			D	T*	F1	F2	G1	G2	Enclosure	Door	Mount. plate	Size	Quantity	W1	D1
WME-100625	1000	600	300	280	970	550	925	525	2,0	2,0	2,0	F	1	520	110
WME-100603	1000	600	300	280	970	550	925	525	2,0	2,0	2,0	F	1	520	110
WME-100604	1000	600	400	380	970	550	925	525	2,0	2,0	2,0	F	1	520	110
WME-100803	1000	800	300	280	970	750	925	725	2,0	2,0	2,0	F	1	520	110
WME-100804	1000	800	400	380	970	750	925	725	2,0	2,0	2,0	F	1	520	110
WME-120603	1200	600	300	280	1170	550	1125	525	2,0	2,0	2,0	F	1	520	110
WME-120604	1200	600	400	380	1170	550	1125	525	2,0	2,0	2,0	F	1	520	110
WME-120803	1200	800	300	280	1170	750	1125	725	2,0	2,0	2,0	F	1	520	110
WME-120804	1200	800	400	380	1170	750	1125	725	2,0	2,0	2,0	F	1	520	110

* T indicates the depth between the mounting plate and the inside of the door, door trim reduces this value by 17 mm and lock by 31 mm.

inTEG Compact Enclosure – Sheet Steel, double-door with 3-point lock system



Only for enclosure WME-160803

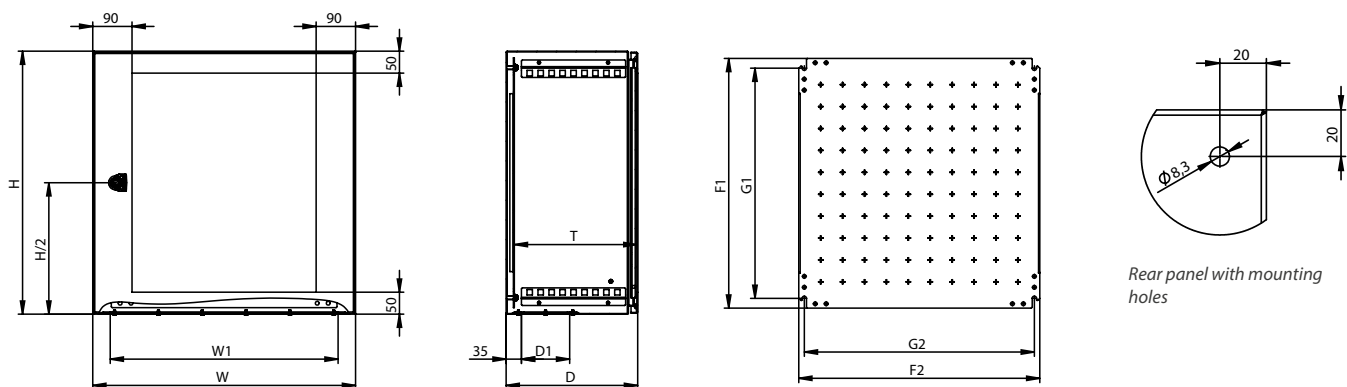


Rear panel with mounting holes

Enclosure order code	Height in mm		Width in mm		Depth in mm				Mounting plate in mm				Material thickness in mm			Gland plate		Cable entry	
	H	W	D	T*	F1	F2	G1	G2	Enclosure	Door	Mount. plate	Size	Quantity	W1	D1				
WME-160803	600	800	300	280	570	750	525	725	1,5	1,5	2,0	F	1	520	110				
WME-181003	800	1000	300	280	770	950	725	925	1,5	2,0	2,0	E	2	420	110				
WME-181203	800	1200	300	280	770	1150	725	1125	1,5	2,0	2,0	F	2	520	110				
WME-201003	1000	1000	300	280	970	950	925	925	1,5	2,0	2,5	E	2	420	110				
WME-201004	1000	1000	400	380	970	950	925	925	1,5	2,0	2,5	E	2	420	110				
WME-201203	1000	1200	300	280	970	1150	925	1125	1,5	2,0	2,5	F	2	520	110				
WME-201204	1000	1200	400	380	970	1150	925	1125	1,5	2,0	2,5	F	2	520	110				
WME-221003	1200	1000	300	280	1170	950	1125	925	1,5	2,0	2,5	E	2	420	110				
WME-221004	1200	1000	400	380	1170	950	1125	925	1,5	2,0	2,5	E	2	420	110				
WME-221203	1200	1200	300	280	1170	1150	1125	1125	1,5	2,0	2,5	F	2	520	110				
WME-221204	1200	1200	400	380	1170	1150	1125	1125	1,5	2,0	2,5	F	2	520	110				
WME-241003	1400	1000	300	280	1370	950	1325	925	1,5	2,0	2,5	E	2	420	110				

* T indicates the depth between the mounting plate and the inside of the door, door trim reduces this value by 17 mm and lock by 31 mm.

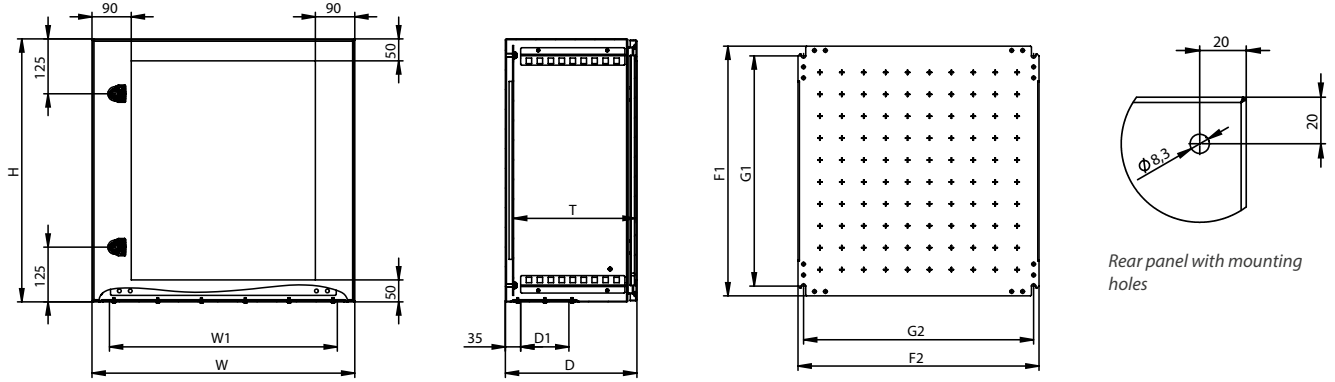
inTEG Compact Enclosure – Glazed Door, single-door with one cam lock



Enclosure order code	Height in mm		Width in mm		Depth in mm		Mounting plate in mm				Material thickness in mm			Gland plate		Cable entry	
	H	W	D	T*	F1	F2	G1	G2	Enclosure	Door	Mount. plate	Slze	Quantity	W1	D1		
WME-G-030215	300	200	155	135	270	150	225	125	1,25	1,5	2,0	A	1	120	60		
WME-G-032515	300	250	155	135	270	200	225	175	1,25	1,5	2,0	A	1	120	60		
WME-G-030315	300	300	155	135	270	250	225	225	1,25	1,5	2,0	B	1	220	60		
WME-G-030321	300	300	210	190	270	250	225	225	1,25	1,5	2,0	C	1	220	110		
WME-G-030415	300	400	155	135	270	350	225	325	1,25	1,5	2,0	B	1	220	60		
WME-G-030421	300	400	210	190	270	350	225	325	1,25	1,5	2,0	D	1	320	110		
WME-G-040315	400	300	155	135	370	250	325	225	1,25	1,5	2,0	B	1	220	60		
WME-G-040321	400	300	210	190	370	250	325	225	1,25	1,5	2,0	C	1	220	110		
WME-G-040421	400	400	210	190	370	350	325	325	1,25	1,5	2,0	D	1	320	110		
WME-G-040621	400	600	210	190	370	550	325	525	1,25	1,5	2,0	F	1	520	110		
WME-G-040625	400	600	250	230	370	550	325	525	1,25	1,5	2,0	F	1	520	110		
WME-G-050321	500	300	210	190	470	250	425	325	1,25	1,5	2,0	C	1	220	110		
WME-G-050421	500	400	210	190	470	350	425	325	1,25	1,5	2,0	D	1	320	110		
WME-G-050425	500	400	250	230	470	350	425	325	1,25	1,5	2,0	D	1	320	110		
WME-G-050521	500	500	210	190	470	450	425	425	1,25	1,5	2,0	E	1	420	110		
WME-G-050503	500	500	300	280	470	450	425	425	1,25	1,5	2,0	E	1	420	110		
WME-G-060421	600	400	210	190	570	350	525	325	1,25	1,5	2,0	D	1	320	110		
WME-G-060425	600	400	250	230	570	350	525	325	1,50	2,0	2,0	D	1	320	110		
WME-G-060403	600	400	300	280	570	350	525	325	1,50	2,0	2,0	D	1	320	110		
WME-G-060525	600	500	250	230	570	450	525	425	1,50	2,0	2,0	E	1	420	110		
WME-G-060621	600	600	210	190	570	550	525	525	1,50	2,0	2,0	F	1	520	110		
WME-G-060625	600	600	250	230	570	550	525	525	1,50	2,0	2,0	F	1	520	110		
WME-G-060603	600	600	300	280	570	550	525	525	1,50	2,0	2,0	F	1	520	110		
WME-G-060604	600	600	400	380	570	550	525	525	1,50	2,0	2,0	F	1	520	110		
WME-G-060825	600	800	250	230	570	750	525	725	1,50	2,0	2,0	F	1	520	110		
WME-G-060803	600	800	300	280	570	750	525	725	1,50	2,0	2,0	F	1	520	110		

* T indicates the depth between the mounting plate and the inside of the door, glass reduces this value by 4 mm.

inTEG Compact Enclosure – Glazed Door, single-door with two cam locks

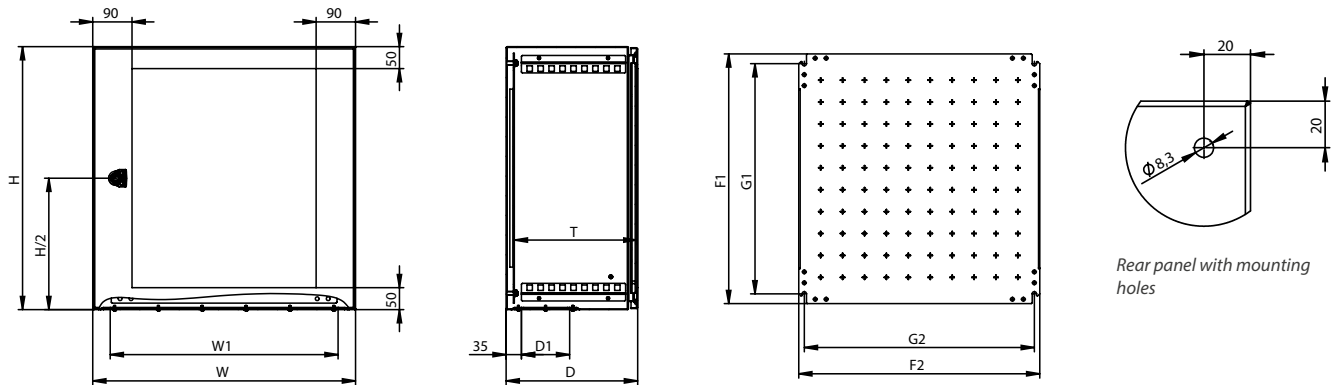


:: Technical drawings

Enclosure order code	Height in mm H	Width in mm W	Depth in mm		Mounting plate in mm				Material thickness in mm			Gland plate		Cable entry	
			D	T*	F1	F2	G1	G2	Enclosure	Door	Mount. plate	Size	Quantity	W1	D1
WME-G-070521	700	500	210	190	670	450	625	425	1,50	2,0	2,0	E	1	420	110
WME-G-070503	700	500	300	280	670	450	625	425	1,50	2,0	2,0	E	1	420	110
WME-G-080625	800	600	250	230	770	550	725	525	2,0	2,0	2,0	F	1	520	110
WME-G-080603	800	600	300	280	770	550	725	525	2,0	2,0	2,0	F	1	520	110
WME-G-080604	800	600	400	380	770	550	725	525	2,0	2,0	2,0	F	1	520	110
WME-G-080803	800	800	300	280	770	750	725	725	2,0	2,0	2,0	F	1	520	110
WME-G-080804	800	800	400	380	770	750	725	725	2,0	2,0	2,0	F	1	520	110

* T indicates the depth between the mounting plate and the inside of the door, glass reduces this value by 4 mm.

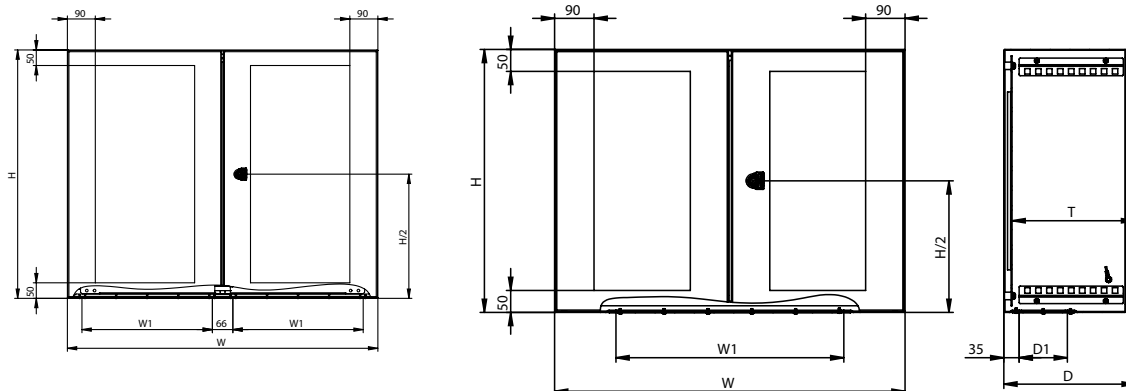
inTEG Compact Enclosure – Glazed Door, single-door with 3-point lock system



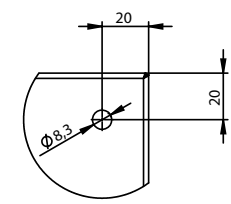
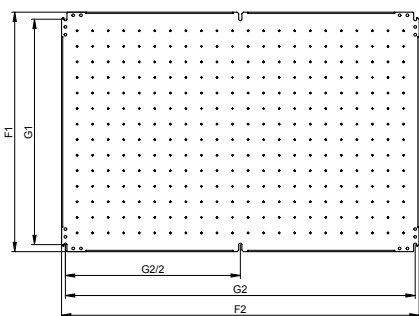
Enclosure order code	Height in mm H	Width in mm W	Depth in mm		Mounting plate in mm				Material thickness in mm			Gland plate		Cable entry	
			D	T*	F1	F2	G1	G2	Enclosure	Door	Mount. plate	Size	Quantity	W1	D1
WME-G-100625	1000	600	300	280	970	550	925	525	2,0	2,0	2,0	F	1	520	110
WME-G-100603	1000	600	300	280	970	550	925	525	2,0	2,0	2,0	F	1	520	110
WME-G-100604	1000	600	400	380	970	550	925	525	2,0	2,0	2,0	F	1	520	110
WME-G-100803	1000	800	300	280	970	750	925	725	2,0	2,0	2,0	F	1	520	110
WME-G-100804	1000	800	400	380	970	750	925	725	2,0	2,0	2,0	F	1	520	110
WME-G-120603	1200	600	300	280	1170	550	1125	525	2,0	2,0	2,0	F	1	520	110
WME-G-120604	1200	600	400	380	1170	550	1125	525	2,0	2,0	2,0	F	1	520	110
WME-G-120803	1200	800	300	280	1170	750	1125	725	2,0	2,0	2,0	F	1	520	110
WME-G-120804	1200	800	400	380	1170	750	1125	725	2,0	2,0	2,0	F	1	520	110

* T indicates the depth between the mounting plate and the inside of the door, door trim reduces this value by 17 mm, lock by 31 mm and glass by 4 mm.

inTEG Compact Enclosure – Glazed Door, double-door with 3-point lock system



Only for enclosure WME-G-160803

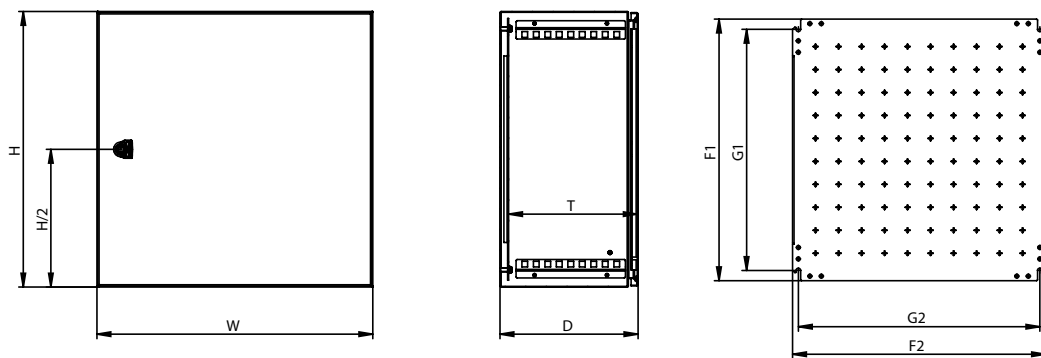


Rear panel with mounting holes

Enclosure order code	Height in mm H	Width in mm W	Depth in mm		Mounting plate in mm				Material thickness in mm			Gland plate		Cable entry	
			D	T*	F1	F2	G1	G2	Enclosure	Door	Mount. plate	Size	Quantity	W1	D1
WME-G-160803	600	800	300	280	570	750	525	725	1,5	1,5	2,0	F	1	520	110
WME-G-181003	800	1000	300	280	770	950	725	925	1,5	2,0	2,0	E	2	420	110
WME-G-181203	800	1200	300	280	770	1150	725	1125	1,5	2,0	2,0	F	2	520	110
WME-G-201003	1000	1000	300	280	970	950	925	925	1,5	2,0	2,5	E	2	420	110
WME-G-201004	1000	1000	400	380	970	950	925	925	1,5	2,0	2,5	E	2	420	110
WME-G-201203	1000	1200	300	280	970	1150	925	1125	1,5	2,0	2,5	F	2	520	110
WME-G-201204	1000	1200	400	380	970	1150	925	1125	1,5	2,0	2,5	F	2	520	110
WME-G-221003	1200	1000	300	280	1170	950	1125	925	1,5	2,0	2,5	E	2	420	110
WME-G-221004	1200	1000	400	380	1170	950	1125	925	1,5	2,0	2,5	E	2	420	110
WME-G-221203	1200	1200	300	280	1170	1150	1125	1125	1,5	2,0	2,5	F	2	520	110
WME-G-221204	1200	1200	400	380	1170	1150	1125	1125	1,5	2,0	2,5	F	2	520	110
WME-G-241003	1400	1000	300	280	1370	950	1325	925	1,5	2,0	2,5	E	2	420	110

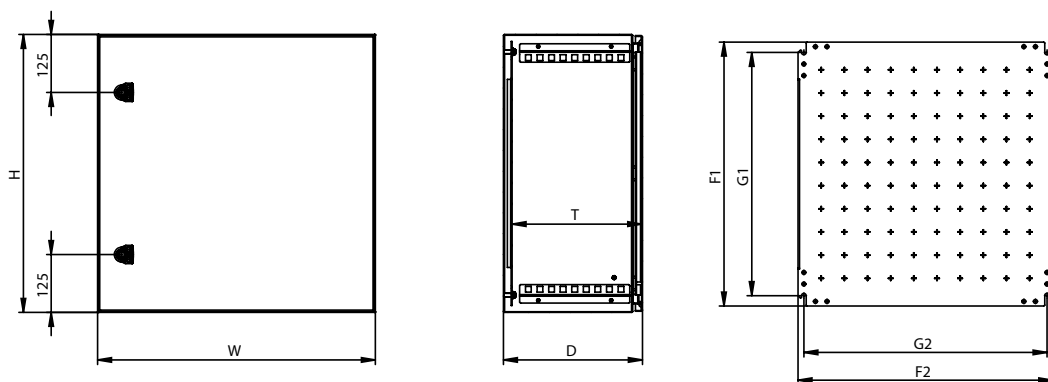
*T indicates the depth between the mounting plate and the inside of the door, door trim reduces this value by 17 mm, lock by 31 mm and glass by 4 mm.

inTEG Compact Enclosure – Stainless Steel, single-door with one cam lock



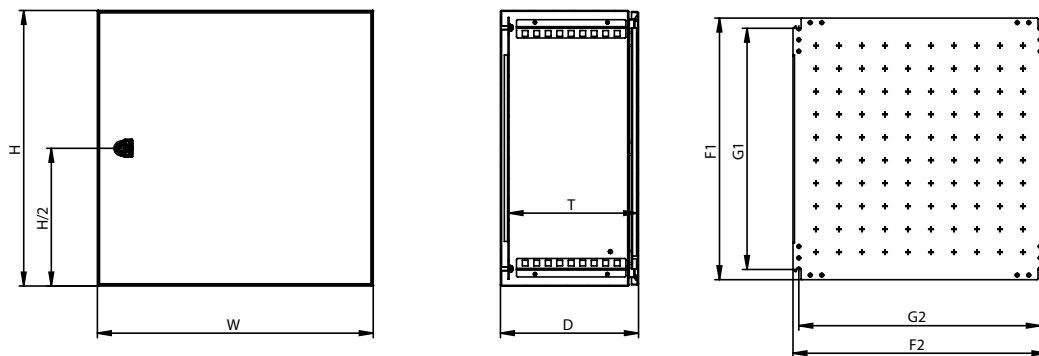
Enclosure order code	Height in mm		Width in mm		Depth in mm		Mounting plate in mm				Material thickness in mm		
	H	W	D	T	F1	F2	G1	G2	Enclosure	Door	Mount. plate		
WME-X-030215	300	200	155	135	270	150	225	125	1,25	1,5	2,0		
WME-X-030315	300	300	155	135	270	250	225	225	1,25	1,5	2,0		
WME-X-030321	300	300	210	190	270	250	225	225	1,25	1,5	2,0		
WME-X-030415	300	400	155	135	270	350	225	325	1,25	1,5	2,0		
WME-X-030421	300	400	210	190	270	350	225	325	1,25	1,5	2,0		
WME-X-040315	400	300	155	135	370	250	325	225	1,25	1,5	2,0		
WME-X-040321	400	300	210	190	370	250	325	225	1,25	1,5	2,0		
WME-X-040421	400	400	210	190	370	350	325	325	1,25	1,5	2,0		
WME-X-040621	400	600	210	190	370	550	325	525	1,25	1,5	2,0		
WME-X-050421	500	400	210	190	470	350	425	325	1,25	1,5	2,0		
WME-X-050521	500	500	210	190	470	450	425	425	1,25	1,5	2,0		
WME-X-050503	500	500	300	280	470	450	425	425	1,25	1,5	2,0		
WME-X-060421	600	400	210	190	570	350	525	325	1,25	1,5	2,0		
WME-X-060621	600	600	210	190	570	550	525	525	1,50	2,0	2,0		
WME-X-060625	600	600	250	230	570	550	525	525	1,50	2,0	2,0		
WME-X-060603	600	600	300	280	570	550	525	525	1,50	2,0	2,0		
WME-X-060803	600	800	300	280	570	750	525	725	1,50	2,0	2,0		

inTEG Compact Enclosure – Stainless Steel, single-door with two cam locks



Enclosure order code	Height in mm		Width in mm		Depth in mm		Mounting plate in mm				Material thickness in mm		
	H	W	D	T	F1	F2	G1	G2	Enclosure	Door	Mount. plate		
WME-X-070503	700	500	300	280	670	450	625	425	1,50	2,0	2,0		
WME-X-080625	800	600	250	230	770	550	725	525	2,0	2,0	2,0		
WME-X-080603	800	600	300	280	770	550	725	525	2,0	2,0	2,0		
WME-X-080803	800	800	300	280	770	750	725	725	2,0	2,0	2,0		

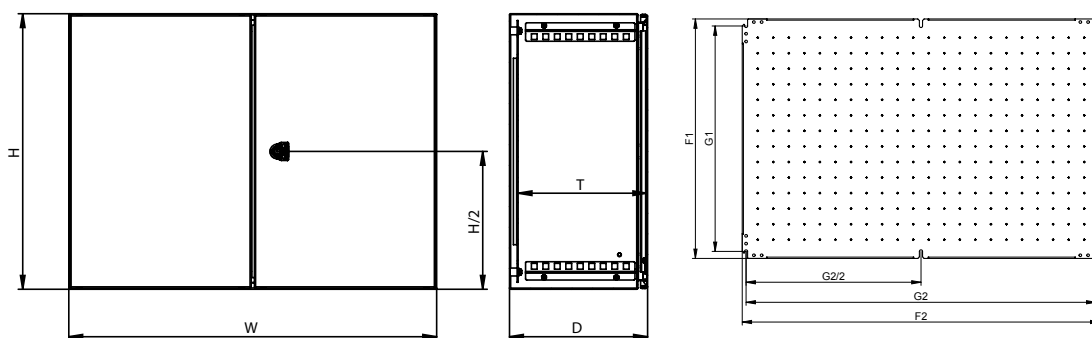
inTEG Compact Enclosure – Stainless Steel, single-door with 3-point lock system



Enclosure order code	Height in mm		Width in mm		Depth in mm		Mounting plate in mm				Material thickness in mm		
	H	W	D	T*	F1	F2	G1	G2	Enclosure	Door	Mount. plate		
WME-X-100803	1000	800	300	280	970	750	925	725	2,0	2,0	2,0		
WME-X-120803	1200	800	300	280	1170	750	1125	725	2,0	2,0	2,0		
WME-X-120804	1200	800	400	380	1170	750	1125	725	2,0	2,0	2,0		

*T indicates the depth between the mounting plate and the inside of the door, door trim reduces this value by 17 mm and lock by 31 mm.

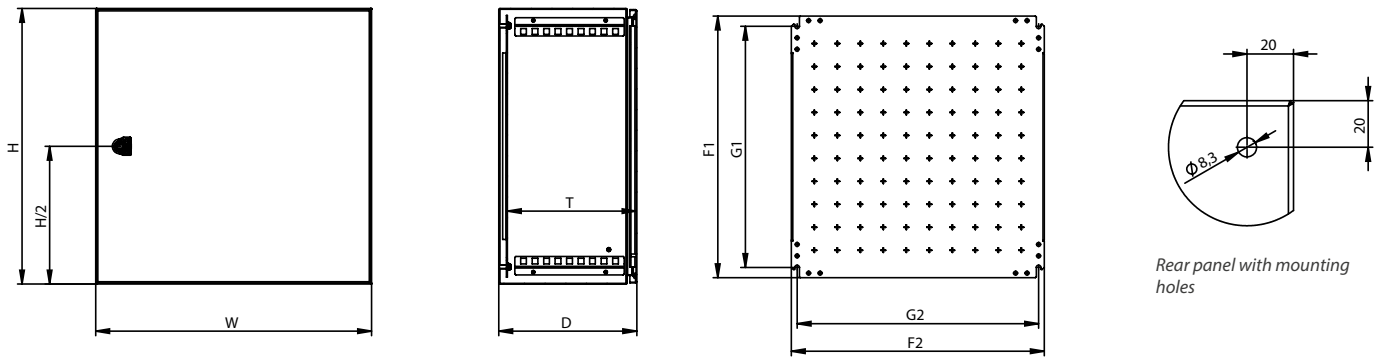
inTEG Compact Enclosure – Stainless Steel, double-door with 3-point lock system



Enclosure order code	Height in mm		Width in mm		Depth in mm		Mounting plate in mm				Material thickness in mm		
	H	W	D	T*	F1	F2	G1	G2	Enclosure	Door	Mount. plate		
WME-X-201003	1000	1000	300	280	970	950	925	925	1,5	2,0	2,5		
WME-X-221003	1200	1000	300	280	1170	950	1125	925	1,5	2,0	2,5		

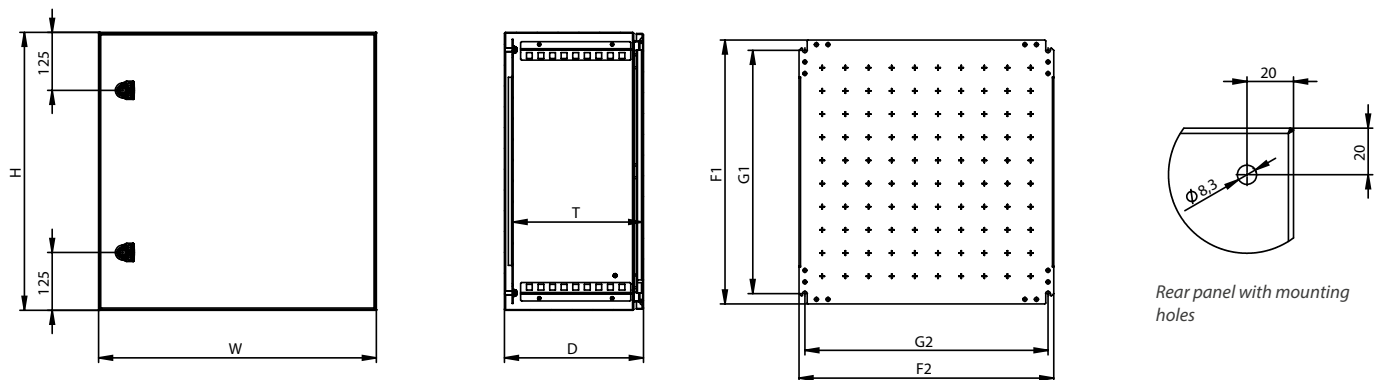
*T indicates the depth between the mounting plate and the inside of the door, door trim reduces this value by 17 mm and lock by 31 mm.

inTEG Compact Enclosure – Outdoor, single-door with one cam lock



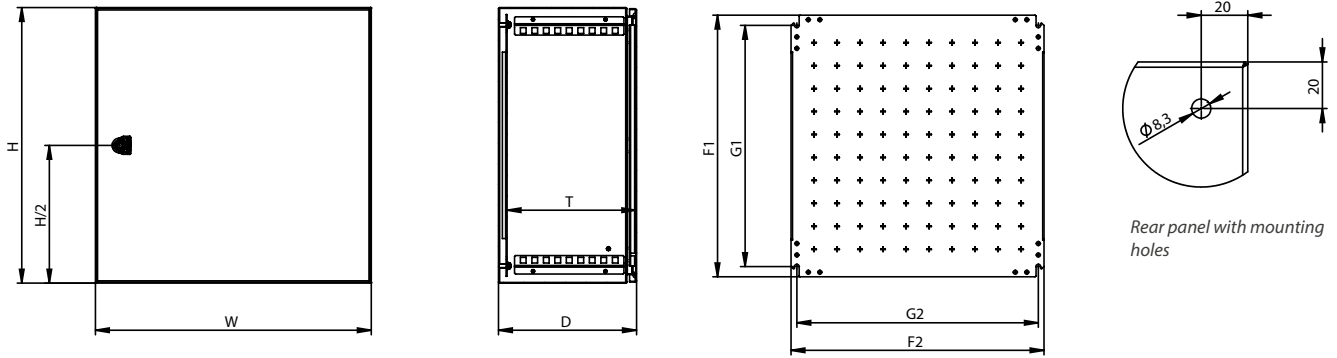
Enclosure order code	Height in mm		Width in mm		Depth in mm		Mounting plate in mm				Material thickness in mm		
	H	W	D	T	F1	F2	G1	G2	Enclosure	Door	Mount. plate		
WME-O-030215	300	200	155	135	270	150	225	125	1,25	1,5	2,0		
WME-O-030315	300	300	155	135	270	250	225	225	1,25	1,5	2,0		
WME-O-030321	300	300	210	190	270	250	225	225	1,25	1,5	2,0		
WME-O-030415	300	400	155	135	270	350	225	325	1,25	1,5	2,0		
WME-O-030421	300	400	210	190	270	350	225	325	1,25	1,5	2,0		
WME-O-040315	400	300	155	135	370	250	325	225	1,25	1,5	2,0		
WME-O-040321	400	300	210	190	370	250	325	225	1,25	1,5	2,0		
WME-O-040421	400	400	210	190	370	350	325	325	1,25	1,5	2,0		
WME-O-040621	400	600	210	190	370	550	325	525	1,25	1,5	2,0		
WME-O-050421	500	400	210	190	470	350	425	325	1,25	1,5	2,0		
WME-O-050521	500	500	210	190	470	450	425	425	1,25	1,5	2,0		
WME-O-050503	500	500	300	280	470	450	425	425	1,25	1,5	2,0		
WME-O-060421	600	400	210	190	570	350	525	325	1,25	1,5	2,0		
WME-O-060403	600	400	300	280	570	350	525	325	1,50	2,0	2,0		
WME-O-060621	600	600	210	190	570	550	525	525	1,50	2,0	2,0		
WME-O-060603	600	600	300	280	570	550	525	525	1,50	2,0	2,0		
WME-O-060604	600	600	400	380	570	550	525	525	1,50	2,0	2,0		
WME-O-060803	600	800	300	280	570	750	525	725	1,50	2,0	2,0		

inTEG Compact Enclosure – Outdoor, single-door with two cam locks



Enclosure order code	Height in mm		Width in mm		Depth in mm		Mounting plate in mm				Material thickness in mm		
	H	W	D	T	F1	F2	G1	G2	Enclosure	Door	Mount. plate		
WME-O-070503	700	500	210	190	670	450	625	425	1,50	2,0	2,0		
WME-O-080625	800	600	250	230	770	550	725	525	2,0	2,0	2,0		
WME-O-080603	800	600	300	280	770	550	725	525	2,0	2,0	2,0		
WME-O-080803	800	800	300	280	770	750	725	725	2,0	2,0	2,0		

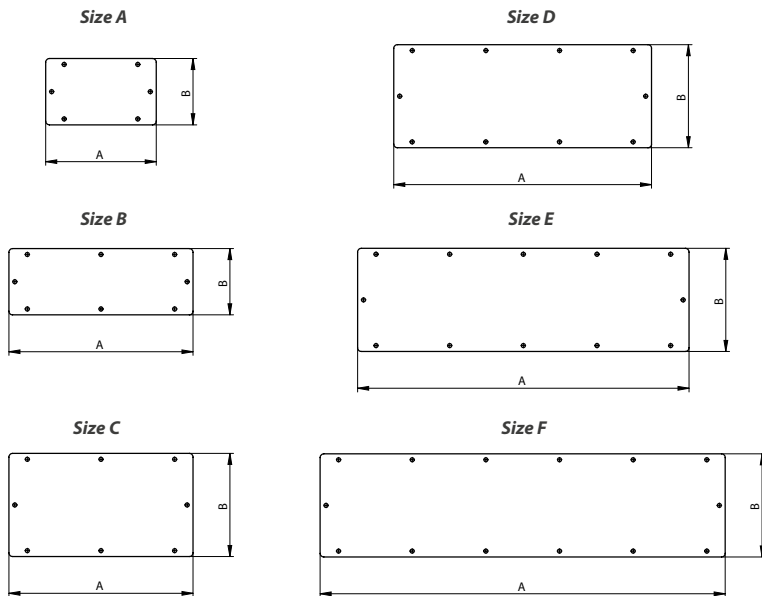
inTEG Compact Enclosure – Outdoor, single-door with 3-point lock system



Enclosure order code	Height in mm		Width in mm		Depth in mm		Mounting plate in mm				Material thickness in mm		
	H	W	D	T*	F1	F2	G1	G2	Enclosure	Door	Mount. plate		
WME-O-100603	1000	600	300	280	970	550	925	525	2,0	2,0	2,0		
WME-O-100604	1000	600	400	380	970	550	925	525	2,0	2,0	2,0		
WME-O-100804	1000	800	400	380	970	750	925	725	2,0	2,0	2,0		
WME-O-120603	1200	600	300	280	1170	550	1125	525	2,0	2,0	2,0		
WME-O-120804	1200	800	400	380	1170	750	1125	725	2,0	2,0	2,0		

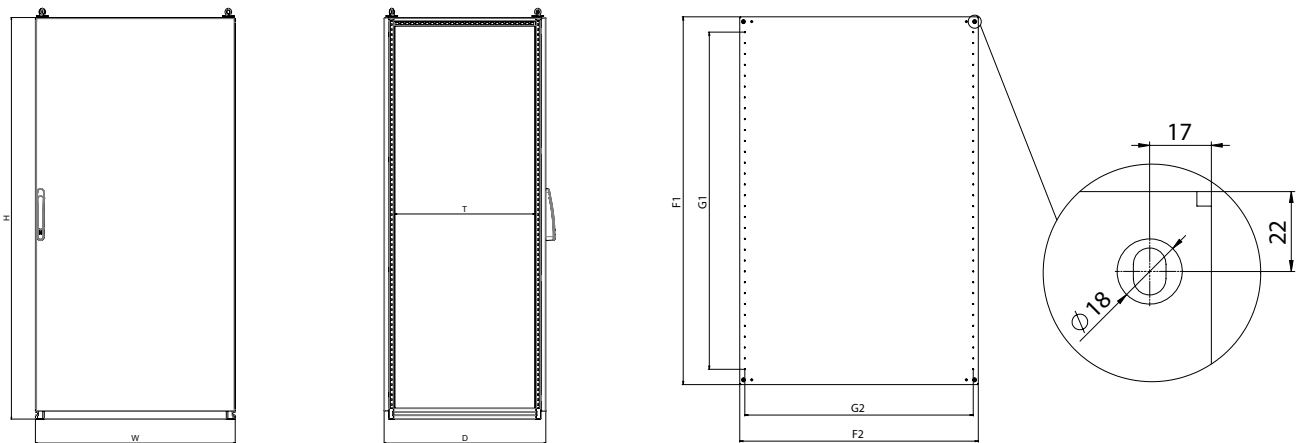
*T indicates the depth between the mounting plate and the inside of the door, door trim reduces this value by 17 mm and lock by 31 mm.

Full-Metal Gland Plate



Size	Width in mm A	Depth in mm B
A	150	90
B	250	90
C	250	140
D	350	140
E	450	140
F	550	140

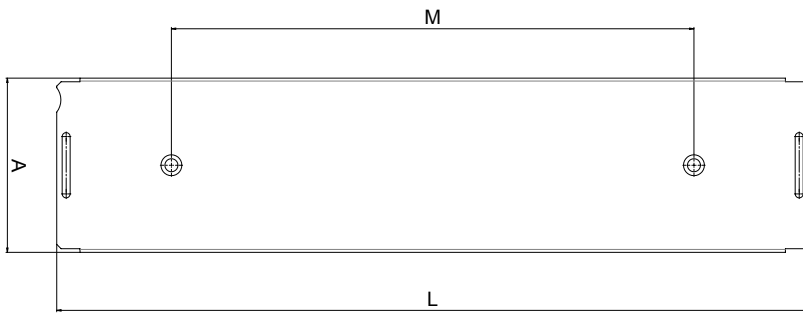
inTEG Compact Enclosure – Outdoor, single-door with 3-point lock system



:: Technical drawings

Enclosure order code	Height in mm		Width in mm		Depth in mm		Mounting plate in mm				Material thickness in mm			Gland plate	Door
	H	W	D	T	F1	F2	G1	G2	Enclosure	Door	Mount. plate				
FSE-180405	1800	400	500	410	1691,2	297	1550	250	1,25	2	3	B1; C1	1		
FSE-180406	1800	400	600	510	1691,2	297	1550	250	1,25	2	3	A1; B1; C1	1		
FSE-180604	1800	600	400	310	1691,2	497	1550	450	1,25	2	3	A6; B2	1		
FSE-180605	1800	600	500	410	1691,2	497	1550	450	1,25	2	3	B2; C2	1		
FSE-180606	1800	600	600	510	1691,2	497	1550	450	1,25	2	3	A2; B2; C2	1		
FSE-180804	1800	800	400	310	1691,2	697	1550	650	1,25	2	3	A7; B3	1		
FSE-180805	1800	800	500	410	1691,2	697	1550	650	1,25	2	3	B3; C3	1		
FSE-280805	1800	800	500	410	1691,2	697	1550	650	1,25	2	3	B3; C3	2		
FSE-180806	1800	800	600	510	1691,2	697	1550	650	1,25	2	3	A3; B3; C3	1		
FSE-280806	1800	800	600	510	1691,2	697	1550	650	1,25	2	3	A3; B3; C3	2		
FSE-181004	1800	1000	400	310	1691,2	897	1550	850	1,25	2	3	A8; B4	1		
FSE-281004	1800	1000	400	310	1691,2	897	1550	850	1,25	2	3	A8; B4	2		
FSE-181005	1800	1000	500	410	1691,2	897	1550	850	1,25	2	3	B4; C4	1		
FSE-181006	1800	1000	600	510	1691,2	897	1550	850	1,25	2	3	A4; B4; C4	1		
FSE-281204	1800	1200	400	310	1691,2	1097	1550	1050	1,25	2	3	A9; B5	2		
FSE-281205	1800	1200	500	410	1691,2	1097	1550	1050	1,25	2	3	B5; C5	2		
FSE-281206	1800	1200	600	510	1691,2	1097	1550	1050	1,25	2	3	A5; B5; C5	2		
FSE-200405	2000	400	500	410	1891,2	297	1750	250	1,25	2	3	B1; C1	1		
FSE-200406	2000	400	600	510	1891,2	297	1750	250	1,25	2	3	A1; B1; C1	1		
FSE-200604	2000	600	400	310	1891,2	497	1750	250	1,25	2	3	A6; B2	1		
FSE-200605	2000	600	500	410	1891,2	497	1750	250	1,25	2	3	B2; C2	1		
FSE-200606	2000	600	600	510	1891,2	497	1750	250	1,25	2	3	A2; B2; C2	1		
FSE-200608	2000	600	800	710	1891,2	497	1750	250	1,25	2	3	A2; 2x B2; C2	1		
FSE-200804	2000	800	400	310	1891,2	697	1750	650	1,25	2	3	A7; B3	1		
FSE-200805	2000	800	500	410	1891,2	697	1750	650	1,25	2	3	B3; C3	1		
FSE-200806	2000	800	600	510	1891,2	697	1750	650	1,25	2	3	A3; B3; C3	1		
FSE-200808	2000	800	800	710	1891,2	697	1750	650	1,25	2	3	A3; 2x B3; C3	1		
FSE-201004	2000	1000	400	310	1891,2	897	1750	850	1,25	2	3	A8; B4	1		
FSE-301004	2000	1000	400	310	1891,2	897	1750	850	1,25	2	3	A8; B4	2		
FSE-201005	2000	1000	500	410	1891,2	897	1750	850	1,25	2	3	B4; C4	1		
FSE-301005	2000	1000	500	410	1891,2	897	1750	850	1,25	2	3	B4; C4	2		
FSE-201006	2000	1000	600	510	1891,2	897	1750	850	1,25	2	3	A4; B4; C4	1		
FSE-301006	2000	1000	600	510	1891,2	897	1750	850	1,25	2	3	A4; B4; C4	2		
FSE-201008	2000	1000	800	710	1891,2	897	1750	850	1,25	2	3	A4; 2xB4; C4	1		
FSE-301204	2000	1200	400	310	1891,2	1097	1750	1050	1,25	2	3	2xA9; 2xB5	2		
FSE-301205	2000	1200	500	410	1891,2	1097	1750	1050	1,25	2	3	2xB5; 2xC5	2		
FSE-301206	2000	1200	600	510	1891,2	1097	1750	1050	1,25	2	3	2xA5; 2xB5; 2xC5	2		
FSE-301208	2000	1200	800	710	1891,2	1097	1750	1050	1,25	2	3	2xA5; 4xB5; 2xC5	2		
FSE-220406	2200	400	600	510	2091,2	297	1950	250	1,25	2	3	A1; B1; C1	1		
FSE-220606	2200	600	600	510	2091,2	497	1950	450	1,25	2	3	A2; B2; C2	1		
FSE-220608	2200	600	800	710	2091,2	497	1950	450	1,25	2	3	A2; 2x B2; C2	1		
FSE-220806	2200	800	600	510	2091,2	697	1950	650	1,25	2	3	A3; B3; C3	1		
FSE-220808	2200	800	800	710	2091,2	697	1950	650	1,25	2	3	A3; 2xB3; C3	1		
FSE-221006	2200	1000	600	510	2091,2	897	1950	850	1,25	2	3	A4; B4; C4	1		
FSE-321206	2200	1200	600	510	2091,2	1097	1950	1050	1,25	2	3	2xA5; 2xB5; 2xC5	2		
FSE-321208	2200	1200	800	710	2091,2	1097	1950	1050	1,25	2	3	2xA5; 4xB5; 2xC5	2		

Gland Plate for inTEG Freestanding Enclosures



Gland Plate Type A

Type	Dimensions WxD in mm	A	L	M
A1	400x90	90	257	100
A2	600x90	90	457	300
A3	800x90	90	657	500
A4	1000x90	90	857	700
A5	1200x90	90	518	360
A6	600x120	120	457	300
A7	800x120	120	657	500
A8	1000x120	120	857	700
A9	1200x120	120	518	360

Gland Plate Type B

Type	Dimensions WxD in mm	A	L	M
B1	400x200	200	257	100
B2	600x200	200	457	300
B3	800x200	200	657	500
B4	1000x200	200	857	700
B5	1200x200	200	518	360

Gland Plate Type C

Type	Dimensions WxD in mm	A	L	M
C1	400x235	235	257	100
C2	600x235	235	457	300
C3	800x235	235	657	500
C4	1000x235	235	857	700
C5	1200x235	235	518	360

Heating Dissipation

inTEG Compact Enclosure – Sheet Steel

Power loss dissipated by the surface of the enclosure $\Delta T = 15 \text{ K}$ (difference between internal and external temperature).

:: Heating Dissipation

Order code	Enclosure size			Material thickness		Door	Total surface	Power loss
	Height	Width	Depth	Body	Door			
	[mm]	[mm]	[mm]	[mm]	[mm]	[pc]	[m ²]	[W]
WME-030215	300	200	155	1,25	1,50	1	0,215	11,5
WME-032515	300	250	155	1,25	1,50	1	0,321	16,5
WME-030315	300	300	155	1,25	1,50	1	0,366	19,0
WME-030321	300	300	210	1,25	1,50	1	0,432	21,8
WME-030415	300	400	155	1,25	1,50	1	0,457	24,1
WME-030421	300	400	210	1,25	1,50	1	0,534	27,3
WME-040315	400	300	155	1,25	1,50	1	0,457	24,1
WME-040321	400	300	210	1,25	1,50	1	0,534	27,3
WME-040421	400	400	210	1,25	1,50	1	0,656	34,1
WME-040621	400	600	210	1,25	1,50	1	0,900	47,6
WME-040625	400	600	250	1,25	1,50	1	0,980	50,9
WME-050321	500	300	210	1,25	1,50	1	0,636	32,8
WME-050421	500	400	210	1,25	1,50	1	0,778	40,8
WME-050425	500	400	250	1,25	1,50	1	0,850	43,8
WME-050521	500	500	210	1,25	1,50	1	0,920	48,8
WME-050503	500	500	300	1,25	1,50	1	1,100	56,4
WME-060421	600	400	210	1,25	1,50	1	0,900	47,6
WME-060425	600	400	250	1,50	1,50	1	0,980	50,4
WME-060403	600	400	300	1,50	1,50	1	1,080	54,5
WME-060525	600	500	250	1,50	1,50	1	1,150	59,9
WME-060621	600	600	210	1,50	1,50	1	1,224	65,4
WME-060625	600	600	250	1,50	1,50	1	1,320	69,4
WME-060603	600	600	300	1,50	1,50	1	1,440	74,3
WME-060604	600	600	400	1,50	1,50	1	1,680	84,2
WME-060825	600	800	250	1,50	1,50	1	1,660	88,3
WME-060803	600	800	300	1,50	1,50	1	1,800	94,1
WME-070521	700	500	210	1,50	1,50	1	1,204	64,2
WME-070503	700	500	300	1,50	1,50	1	1,420	73,1
WME-080625	800	600	250	1,50	2,00	1	1,660	87,8
WME-080603	800	600	300	1,50	2,00	1	1,800	93,6
WME-080604	800	600	400	1,50	2,00	1	2,080	105,2
WME-080803	800	800	300	1,50	2,00	1	2,240	118,2
WME-080804	800	800	400	1,50	2,00	1	2,560	131,4
WME-100625	1000	600	250	1,50	2,00	1	2,000	106,7
WME-100603	1000	600	300	1,50	2,00	1	2,160	113,3
WME-100604	1000	600	400	1,50	2,00	1	2,480	126,5
WME-100803	1000	800	300	1,50	2,00	1	2,680	142,8
WME-100804	1000	800	400	1,50	2,00	1	3,040	157,6
WME-120603	1200	600	300	1,50	2,00	1	2,520	133,0
WME-120604	1200	600	400	1,50	2,00	1	2,880	147,8
WME-120803	1200	800	300	1,50	2,00	1	3,120	167,4
WME-120804	1200	800	400	1,50	2,00	1	3,520	183,9
WME-160803	600	800	300	1,50	1,50	2	1,800	94,1
WME-181003	800	1000	300	1,50	2,00	2	2,680	142,8
WME-181203	800	1200	300	1,50	2,00	2	3,120	167,4
WME-201003	1000	1000	300	1,50	2,00	2	3,200	172,3
WME-201004	1000	1000	400	1,50	2,00	2	3,600	188,8
WME-201203	1000	1200	300	1,50	2,00	2	3,720	201,8
WME-201204	1000	1200	400	1,50	2,00	2	4,160	220,0
WME-221003	1200	1000	300	1,50	2,00	2	3,720	201,8
WME-221004	1200	1000	400	1,50	2,00	2	4,160	220,0
WME-221203	1200	1200	300	1,50	2,00	2	4,320	236,2
WME-221204	1200	1200	400	1,50	2,00	2	4,800	256,0
WME-241003	1400	1000	300	1,50	2,00	2	4,240	231,3

inTEG Compact Enclosure – Sheet Steel

Power loss dissipated by the surface of the enclosure $\Delta T = 15$ K (difference between internal and external temperature).

Order code	Enclosure size			Material thickness		Door [pc]	Total surface [m ²]	Power loss [W]
	Height	Width	Depth	Body	Door			
	[mm]	[mm]	[mm]	[mm]	[mm]			
WME-G-032515	300	250	155	1,25	4,00	1	0,321	13,6
WME-G-030315	300	300	155	1,25	4,00	1	0,366	15,6
WME-G-030321	300	300	210	1,25	4,00	1	0,432	18,3
WME-G-030415	300	400	155	1,25	4,00	1	0,457	19,5
WME-G-030421	300	400	210	1,25	4,00	1	0,534	22,7
WME-G-040315	400	300	155	1,25	4,00	1	0,457	19,5
WME-G-040321	400	300	210	1,25	4,00	1	0,534	22,7
WME-G-040421	400	400	210	1,25	4,00	1	0,656	27,9
WME-G-040621	400	600	210	1,25	4,00	1	0,900	38,3
WME-G-040625	400	600	250	1,25	4,00	1	0,980	41,7
WME-G-050321	500	300	210	1,25	4,00	1	0,636	27,0
WME-G-050421	500	400	210	1,25	4,00	1	0,778	33,1
WME-G-050425	500	400	250	1,25	4,00	1	0,850	36,1
WME-G-050521	500	500	210	1,25	4,00	1	0,920	39,2
WME-G-050503	500	500	300	1,25	4,00	1	1,100	46,7
WME-G-060421	600	400	210	1,25	4,00	1	0,900	38,3
WME-G-060425	600	400	250	1,50	4,00	1	0,980	41,1
WME-G-060403	600	400	300	1,50	4,00	1	1,080	45,2
WME-G-060525	600	500	250	1,50	4,00	1	1,150	48,3
WME-G-060621	600	600	210	1,50	4,00	1	1,224	51,5
WME-G-060625	600	600	250	1,50	4,00	1	1,320	55,5
WME-G-060603	600	600	300	1,50	4,00	1	1,440	60,4
WME-G-060604	600	600	400	1,50	4,00	1	1,680	70,3
WME-G-060825	600	800	250	1,50	4,00	1	1,660	69,8
WME-G-060803	600	800	300	1,50	4,00	1	1,800	75,6
WME-G-070521	700	500	210	1,50	4,00	1	1,204	50,6
WME-G-070503	700	500	300	1,50	4,00	1	1,420	59,6
WME-G-080625	800	600	250	1,50	4,00	1	1,660	69,8
WME-G-080603	800	600	300	1,50	4,00	1	1,800	75,6
WME-G-080604	800	600	400	1,50	4,00	1	2,080	87,2
WME-G-080803	800	800	300	1,50	4,00	1	2,240	94,2
WME-G-080804	800	800	400	1,50	4,00	1	2,560	107,4
WME-G-100625	1000	600	250	1,50	4,00	1	2,000	84,2
WME-G-100603	1000	600	300	1,50	4,00	1	2,160	90,8
WME-G-100604	1000	600	400	1,50	4,00	1	2,480	104,0
WME-G-100803	1000	800	300	1,50	4,00	1	2,680	112,8
WME-G-100804	1000	800	400	1,50	4,00	1	3,040	127,6
WME-G-120603	1200	600	300	1,50	4,00	1	2,520	106,0
WME-G-120604	1200	600	400	1,50	4,00	1	2,880	120,8
WME-G-120803	1200	800	300	1,50	4,00	1	3,120	131,4
WME-G-120804	1200	800	400	1,50	4,00	1	3,520	147,9
WME-G-160803	600	800	300	1,50	4,00	2	1,800	75,6
WME-G-181003	800	1000	300	1,50	4,00	2	2,680	112,8
WME-G-181203	800	1200	300	1,50	4,00	2	3,120	131,4
WME-G-201003	1000	1000	300	1,50	4,00	2	3,200	134,8
WME-G-201004	1000	1000	400	1,50	4,00	2	3,600	151,3
WME-G-201203	1000	1200	300	1,50	4,00	2	3,720	156,8
WME-G-201204	1000	1200	400	1,50	4,00	2	4,160	175,0
WME-G-221003	1200	1000	300	1,50	4,00	2	3,720	156,8
WME-G-221004	1200	1000	400	1,50	4,00	2	4,160	175,0
WME-G-221203	1200	1200	300	1,50	4,00	2	4,320	182,2
WME-G-221204	1200	1200	400	1,50	4,00	2	4,800	202,0
WME-G-241003	1400	1000	300	1,50	4,00	2	4,240	178,8

inTEG Compact Enclosure – Stainless Steel

Power loss dissipated by the surface of the enclosure $\Delta T = 15$ K (difference between internal and external temperature).

Order code	Enclosure size			Material thickness		Door [pc]	Total surface [m ²]	Power loss [W]
	Height	Width	Depth	Body	Door			
	[mm]	[mm]	[mm]	[mm]	[mm]			
WME-X-030215	300	200	155	1,25	1,50	1	0,275	13,7
WME-X-030315	300	300	155	1,25	1,50	1	0,366	18,7
WME-X-030321	300	300	210	1,25	1,50	1	0,432	21,4
WME-X-030415	300	400	155	1,25	1,50	1	0,457	23,7
WME-X-030421	300	400	210	1,25	1,50	1	0,534	26,8
WME-X-040315	400	300	155	1,25	1,50	1	0,457	23,7
WME-X-040321	400	300	210	1,25	1,50	1	0,534	26,8
WME-X-040421	400	400	210	1,25	1,50	1	0,656	33,5
WME-X-040621	400	600	210	1,25	1,50	1	0,900	46,7
WME-X-050421	500	400	210	1,25	1,50	1	0,778	40,1
WME-X-050521	500	500	210	1,25	1,50	1	0,920	48,0
WME-X-050503	500	500	300	1,25	1,50	1	1,100	55,4
WME-X-060421	600	400	210	1,25	1,50	1	0,900	46,7
WME-X-060621	600	600	210	1,50	1,50	1	1,224	64,1
WME-X-060625	600	600	250	1,50	1,50	1	1,320	68,0
WME-X-060603	600	600	300	1,50	1,50	1	1,440	72,8
WME-X-060803	600	800	300	1,50	1,50	1	1,800	92,2
WME-X-070503	700	500	300	1,50	1,50	1	1,420	71,6
WME-X-080625	800	600	250	1,50	2,00	1	1,660	85,9
WME-X-080603	800	600	300	1,50	2,00	1	1,800	91,6
WME-X-080803	800	800	300	1,50	2,00	1	2,240	115,7
WME-X-100803	1000	800	300	1,50	2,00	1	2,680	139,7
WME-X-120803	1200	800	300	1,50	2,00	1	3,120	163,8
WME-X-120804	1200	800	400	1,50	2,00	1	3,520	179,9
WME-X-201003	1000	1000	300	1,50	2,00	1	3,200	168,6
WME-X-221003	1200	1000	300	1,50	2,00	1	3,720	197,4

:: Heating Dissipation

inTEG Compact Enclosure – Outdoor

Power loss dissipated by the surface of the enclosure $\Delta T = 15$ K (difference between internal and external temperature).

Order code	Enclosure size			Material thickness		Door [pc]	Total surface [m ²]	Power loss [W]
	Height	Width	Depth	Body	Door			
	[mm]	[mm]	[mm]	[mm]	[mm]			
WME-O-030215	300	200	155	1,25	1,50	1	0,275	14,0
WME-O-030315	300	300	155	1,25	1,50	1	0,366	19,0
WME-O-030321	300	300	210	1,25	1,50	1	0,432	21,8
WME-O-030415	300	400	155	1,25	1,50	1	0,457	24,1
WME-O-030421	300	400	210	1,25	1,50	1	0,534	27,3
WME-O-040315	400	300	155	1,25	1,50	1	0,457	24,1
WME-O-040321	400	300	210	1,25	1,50	1	0,534	27,3
WME-O-040421	400	400	210	1,25	1,50	1	0,656	34,1
WME-O-040621	400	600	210	1,25	1,50	1	0,900	47,6
WME-O-050421	500	400	210	1,25	1,50	1	0,778	40,8
WME-O-050521	500	500	210	1,25	1,50	1	0,920	48,8
WME-O-050503	500	500	300	1,25	1,50	1	1,100	56,4
WME-O-060421	600	400	210	1,25	1,50	1	0,900	47,6
WME-O-060403	600	400	300	1,50	1,50	1	1,080	54,5
WME-O-060621	600	600	210	1,50	1,50	1	1,224	65,4
WME-O-060603	600	600	300	1,50	1,50	1	1,440	74,3
WME-O-060604	600	600	400	1,50	1,50	1	1,680	84,2
WME-O-060803	600	800	300	1,50	1,50	1	1,800	94,1
WME-O-070503	700	500	300	1,50	1,50	1	1,420	73,1
WME-O-080625	800	600	250	1,50	2,00	1	1,660	87,8
WME-O-080603	800	600	300	1,50	2,00	1	1,800	93,6
WME-O-080803	800	800	300	1,50	2,00	1	2,240	118,2
WME-O-100603	1000	600	300	1,50	2,00	1	2,160	113,3
WME-O-100604	1000	600	400	1,50	2,00	1	2,480	126,5
WME-O-100804	1000	800	400	1,50	2,00	1	3,040	157,6
WME-O-120603	1200	600	300	1,50	2,00	1	2,520	133,0
WME-O-120804	1200	800	400	1,50	2,00	1	3,520	183,9

inTEG Freestanding Enclosures – Sheet Steel

Power loss dissipated by the surface of the enclosure $\Delta T = 15$ K (difference between internal and external temperature).

Order code	Enclosure size			Material thickness		Door	Total surface	Total heating
	Height	Width	Depth	Body	Door			
	[mm]	[mm]	[mm]	[mm]	[mm]	[pc]	[m ²]	[W]
FSE-180405	1800	400	500	1,5	2,00	1	2,920	149,5
FSE-180406	1800	400	600	1,5	2,00	1	4,080	197,4
FSE-180604	1800	600	400	1,5	2,00	1	4,080	211,8
FSE-180605	1800	600	500	1,5	2,00	1	4,560	231,6
FSE-180606	1800	600	600	1,5	2,00	1	5,040	251,5
FSE-180804	1800	800	400	1,5	2,00	1	4,960	262,6
FSE-180805	1800	800	500	1,5	2,00	1	5,480	284,1
FSE-280805	1800	800	500	1,5	2,00	2	5,480	284,1
FSE-180806	1800	800	600	1,5	2,00	1	6,000	305,6
FSE-280806	1800	800	600	1,5	2,00	2	6,000	305,6
FSE-181004	1800	1000	400	1,5	2,00	1	5,840	313,4
FSE-281004	1800	1000	400	1,5	2,00	2	5,840	313,4
FSE-181005	1800	1000	500	1,5	2,00	1	6,400	336,5
FSE-181006	1800	1000	600	1,5	2,00	1	6,960	359,7
FSE-281204	1800	1200	400	1,5	2,00	2	6,720	364,2
FSE-281205	1800	1200	500	1,5	2,00	2	7,320	389,0
FSE-281206	1800	1200	600	1,5	2,00	2	7,920	413,8
FSE-200405	2000	400	500	1,5	2,00	1	4,000	197,3
FSE-200406	2000	400	600	1,5	2,00	1	4,480	217,1
FSE-200604	2000	600	400	1,5	2,00	1	4,480	233,2
FSE-200605	2000	600	500	1,5	2,00	1	5,000	254,6
FSE-200606	2000	600	600	1,5	2,00	1	5,520	276,1
FSE-200608	2000	600	800	1,5	2,00	1	6,560	319,0
FSE-200804	2000	800	400	1,5	2,00	1	5,440	288,9
FSE-200805	2000	800	500	1,5	2,00	1	6,000	312,0
FSE-200806	2000	800	600	1,5	2,00	1	6,560	335,1
FSE-200808	2000	800	800	1,5	2,00	1	7,680	381,3
FSE-201004	2000	1000	400	1,5	2,00	1	6,400	344,6
FSE-301004	2000	1000	400	1,5	2,00	2	6,400	344,6
FSE-201005	2000	1000	500	1,5	2,00	1	7,000	369,3
FSE-301005	2000	1000	500	1,5	2,00	2	7,000	369,3
FSE-201006	2000	1000	600	1,5	2,00	1	7,600	394,1
FSE-301006	2000	1000	600	1,5	2,00	2	7,600	394,1
FSE-201008	2000	1000	800	1,5	2,00	1	8,800	443,7
FSE-301204	2000	1200	400	1,5	2,00	2	7,360	400,3
FSE-301205	2000	1200	500	1,5	2,00	2	8,000	426,7
FSE-301206	2000	1200	600	1,5	2,00	2	8,640	453,1
FSE-301208	2000	1200	800	1,5	2,00	2	9,920	506,0
FSE-220406	2200	400	600	1,5	2,00	1	4,880	236,8
FSE-220606	2200	600	600	1,5	2,00	1	6,000	300,7
FSE-220608	2200	600	800	1,5	2,00	1	7,120	347,0
FSE-220806	2200	800	600	1,5	2,00	1	7,120	364,7
FSE-220808	2200	800	800	1,5	2,00	1	8,320	414,2
FSE-221006	2200	1000	600	1,5	2,00	1	8,240	428,6
FSE-321206	2200	1200	600	1,5	2,00	2	9,360	492,5
FSE-321208	2200	1200	800	1,5	2,00	2	10,720	548,6

CONTEG, spol. s r.o.

Czech Republic Headquarters:

Na Vítězné pláni 1719/4
140 00 Prague 4

Tel.: +420 261 219 182

Fax: +420 261 219 192

Production plant in the Czech Republic:

K Silu 2179
393 01 Pelhřimov

Tel.: +420 565 300 300

Fax: +420 565 533 955

integ@conteg.com

www.conteg.com

Local Branches/Offices

Austria / Germany /Switzerland:	+420 724 723 184
Benelux:	+32 477 957 126
Southeastern Europe:	+49 172 8484 346
Finland:	+358 50 414 1257
France / Italy / Maghreb:	+33 686 074 386
India:	+91 991 6950 773
Middle East:	+971 4445 2838
Russia / CIS:	+7 495 967 3840
Saudi Arabia:	+966 594 30 13 08
Ukraine:	+380 674 478 240

Although this catalog was prepared, produced and checked with the best care, Conteg, spol. s r.o. cannot accept any liability for omissions or errors in this publication. Due to continuous development and progress, Conteg, spol. s r.o. reserves the right to change details and technical specifications of the products shown in this catalog. Such changes along with eventual errors or printing errors shall not constitute grounds for compensation.