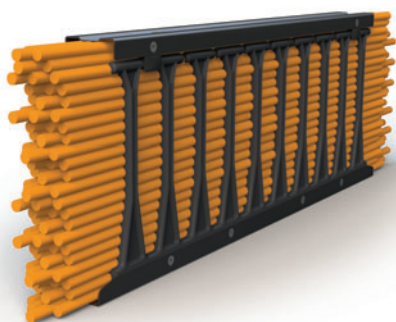




DATASHEET
High Density
Wire Management

CONTEG

HIGH DENSITY WIRE MANAGEMENT



➤ **High Density Wire Management (HDWM)** helps to improve network performance and reliability (system under industrial trademark).

MAIN ADVANTAGES

- Reduces risk of attenuation and substantially increases data transmission reliability
- Solution for racks and open frames
- Innovative approach for backbone and patch cables allow better organization in accordance with industry standards and major cable manufacturer recommendations
- New design for 48 patch cords (Cat. 7A) in 1U position
- Unbeatable density of patch cords
- Bend radius control
- Allows installation of up to 2016 patch cords in one rack
- Unique front panel latching system
- Front or front/rear design layout available
- Wide range of sizes usable for typical applications

COLOR SAMPLER:  RAL 9005

HIGH DENSITY WIRE MANAGER CABLE FILL CALCULATOR

| Code | Description | Cable Details | Počet kabelů | | | |
|-------------------------|---|---------------|--------------|------------|-------------|---------|
| | | | CAT 6 UTP | CAT 6a UTP | CAT 7a PiMF | Vlastní |
| | | Ø (mm) | 5.870 | 7.239 | 7.620 | 8.000 |
| | | Fill Factor | 50 % | | | |
| Standard version | | | | | | |
| HDWM-HM-1F | Horizontal HDWM, 1U×10 finger, front only 1U×19"×112 mm | | 50 | 33 | 30 | 27 |
| HDWM-VMR-42-12/10F | Vertical High Density Rack Wire Manager, 41 fingers, front only, 42U×100×112 mm | | 184 | 121 | 109 | 99 |
| HDWM-VMF-42-15/20F | Vertical High Density Frame Wire Manager, 41 fingers, front only, 42U×151×200 mm | | 507 | 333 | 301 | 273 |
| HDWM-VMF-42-25/20F | Vertical High Density Frame Wire Manager, 41 fingers, front only, 42U×251×200 mm | | 913 | 600 | 541 | 491 |
| HDWM-VMF-42-25/30F | Vertical High Density Frame Wire Manager, 41 fingers, front only, 42U×251×300 mm | | 1411 | 928 | 837 | 760 |
| Finger Opening Standard | Capacity of finger opening—standard version | | 47 | 31 | 28 | 25 |
| Longer version | | | | | | |
| HDWM-HML-1F | Horizontal HDWM, 1U×10 long finger, front only 1U×19"×182mm | | 92 | 60 | 54 | 49 |
| HDWM-VMR-42-19/10F | Vertical High Density Rack Wire Manager, 41 long fingers, front only, 42U×100×182 mm | | 312 | 205 | 185 | 168 |
| HDWM-VMF-42-22/20F | Vertical High Density Frame Wire Manager, 41 long fingers, front only, 42U×221×200 mm | | 791 | 520 | 469 | 426 |
| HDWM-VMF-42-32/20F | Vertical High Density Frame Wire Manager, 41 long fingers, front only, 42U×321×200 mm | | 1197 | 787 | 710 | 644 |
| HDWM-VMF-42-32/30F | Vertical High Density Frame Wire Manager, 41 long fingers, front only, 42U×321×300 mm | | 1851 | 1217 | 1098 | 996 |
| Finger Opening Long | Capacity of finger opening—longer version | | 92 | 60 | 54 | 49 |

DESCRIPTION

Front/rear design

- Dual pathway for managing cables within the same HDWM
- Horizontal and vertical orientations, vertical racks (VMR) for front only

Front only design

- Simple pathway for cables
- Available in horizontal and vertical orientations

Horizontal orientation

- Horizontal pathway for managing cables between installed equipment
- For mounting onto 19" extrusions

Vertical orientation

- Vertical pathway for managing cables into and through the rack or frame

- Velcro cable ties for optimum cable bundle management
- Vertical managers can be bolted together (front to back), customizing the HDWM to your requirements

Frame vertical panel (VMF)

- 3 mm thick aluminum ensures high rigidity and structural strength
- Easy installation onto RSG frames

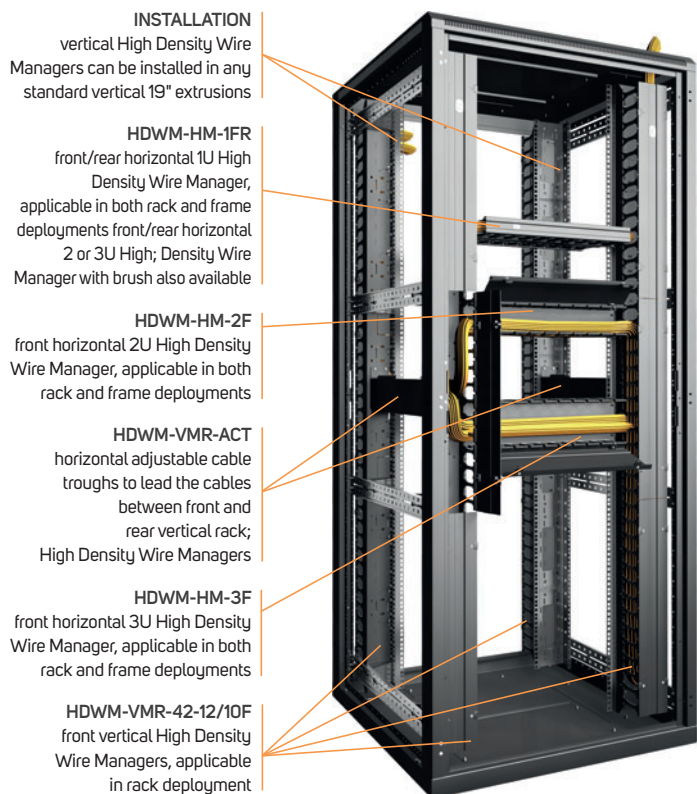
Cable Troughs

- Allows cable management of cables between vertical rack (VMR) or frame (VMF) HDWM
- Adjustable length

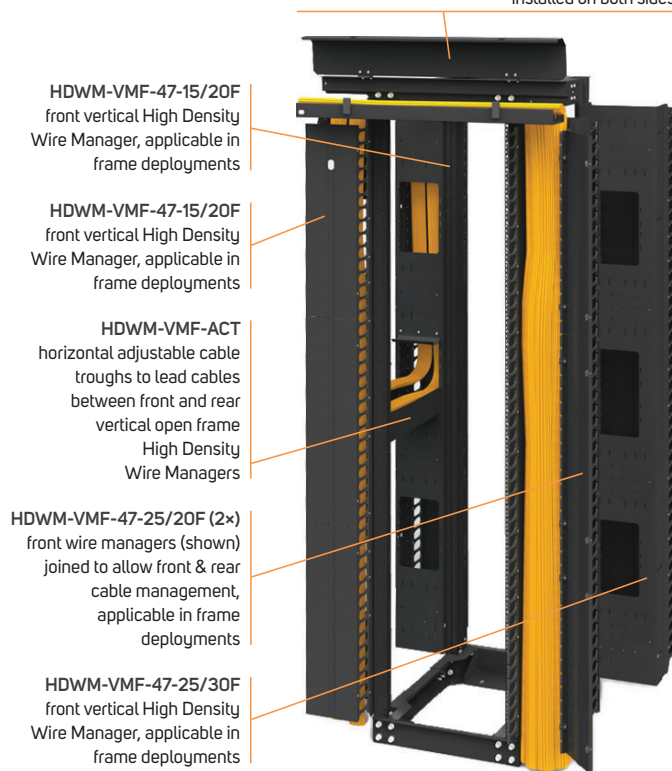
Sizes

- Fingers come in two sizes—standard and long

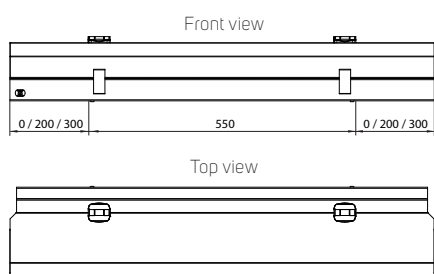
HDWM – example of use



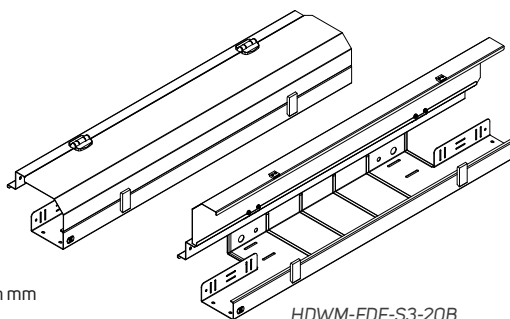
HDWM-FDF-S3-20B
front duct system, compatible with HDWM-VMF-xx-yy/20F installed on both sides



Front duct system compatible with vertical HDWM—RSG open frame installation



Note: all dimensions in mm



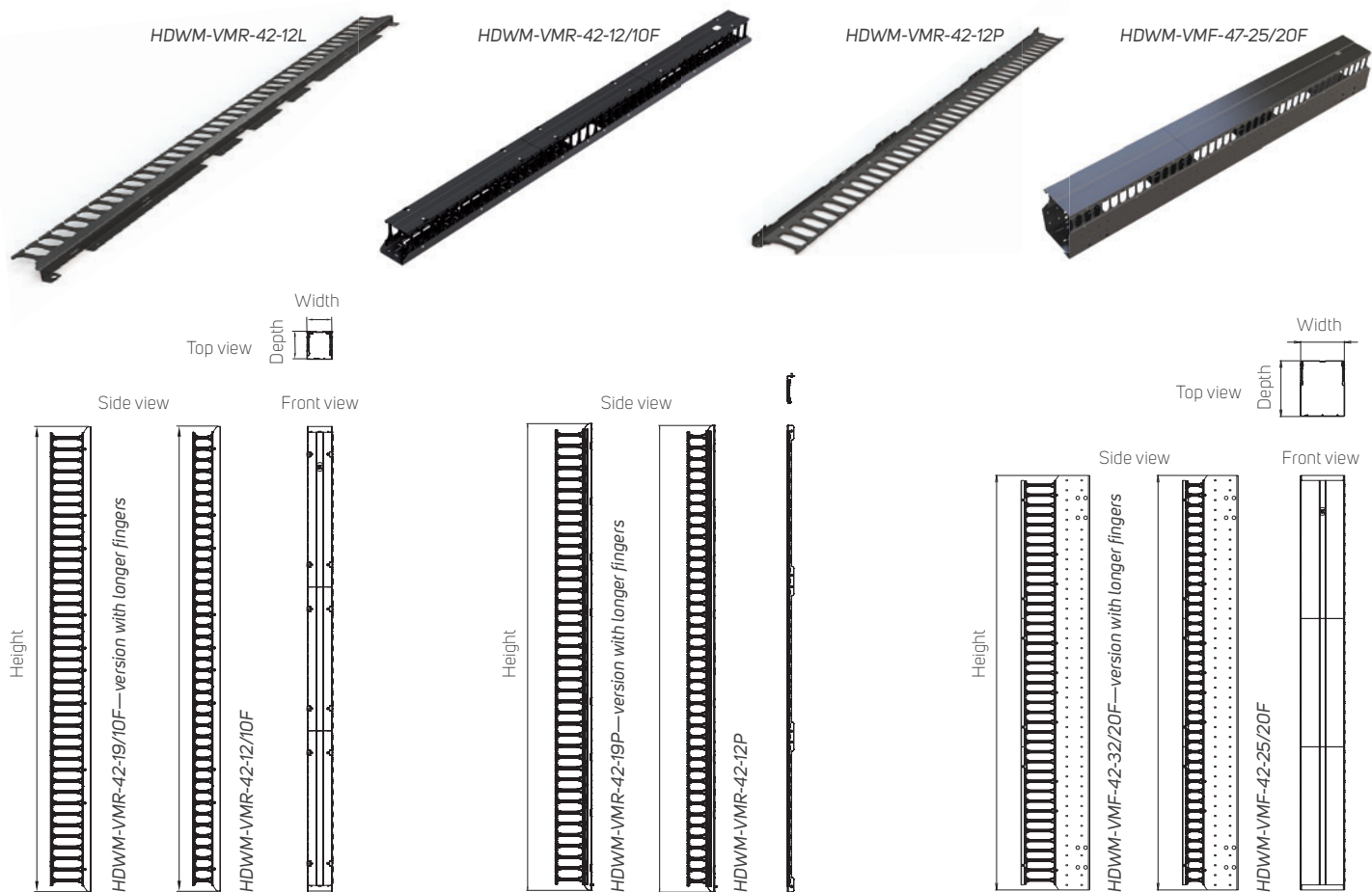
Package includes:

- Set 1: 1x HDWM front duct, 1x cable radius protector, 1x connecting module, 4x screws M5, 4x nuts M5, 4x washer M5
- Set 2: 1x HDWM front duct, 2x cable radius protector, 1x connecting module, 4x screws M5, 4x nuts M5, 4x washer M5

| Code | Installation | Description | Package |
|--------------------|--------------|---|---------------|
| HDWM-FDF-S3-20L | Open frame | Front duct system, compatible with HDWM-VMF-xx-yy/20F installed on the left-hand side | 1 pc of set 1 |
| HDWM-FDF-S3-20R | Open frame | Front duct system, compatible with HDWM-VMF-xx-yy/20F installed on the right-hand side | 1 pc of set 1 |
| HDWM-FDF-S3-20B | Open frame | Front duct system, compatible with HDWM-VMF-xx-yy/20F installed on both sides | 1 pc of set 2 |
| HDWM-FDF-S3-30L | Open frame | Front duct system, compatible with HDWM-VMF-xx-yy/30F installed on the left-hand side | 1 pc of set 1 |
| HDWM-FDF-S3-30R | Open frame | Front duct system, compatible with HDWM-VMF-xx-yy/30F installed on the right-hand side | 1 pc of set 1 |
| HDWM-FDF-S3-30B | Open frame | Front duct system, compatible with HDWM-VMF-xx-yy/30F installed on both sides | 1 pc of set 2 |
| HDWM-FDF-S3-20L30R | Open frame | Front duct system, compatible with HDWM-VMF-xx-yy/20F installed on the left-hand side and HDWM-VMF-xx-yy/30F installed on the right-hand side | 1 pc of set 2 |
| HDWM-FDF-S3-30L20R | Open frame | Front duct system, compatible with HDWM-VMF-xx-yy/30F installed on the left-hand side and HDWM-VMF-xx-yy/20F installed on the right-hand side | 1 pc of set 2 |
| HDWM-FDF-S3-EC | Open frame | End cap for front duct system | 2 pcs |

Vertical high density wire managers

Rack & RSG open frame installation



Package includes:

- Set 1: 1x HDWM manager, set of blanking panels, 8x screws M5, 8x nuts M5, 8x washer M5, 10x velcro ties HDWM-VCT
- Set 2: 1x HDWM manager, 4x screws M5, 4x nuts M5, 4x washer M5, 5x velcro ties HDWM-VCT
- Set 3: 1x HDWM manager, 4x screws M5, 4x nuts M5, 4x washer M5, 10x velcro ties HDWM-VCT

| Code | Installation | Type | No. of fingers | | Dimensions | | | Extended version with longer fingers | | Package |
|--------------------|--------------|--|----------------|------|------------|--------|--------|--------------------------------------|--------|---------------|
| | | | Front | Rear | H (in U) | W (mm) | D (mm) | Code | D (mm) | |
| HDWM-VMR-42-12/10F | Rack | Front | 41 | x | 42 | 100 | 112 | HDWM-VMR-42-19/10F | 182 | 1 pc of set 1 |
| HDWM-VMR-45-12/10F | Rack | Front | 44 | x | 45 | 100 | 112 | HDWM-VMR-45-19/10F | 182 | |
| HDWM-VMR-48-12/10F | Rack | Front | 47 | x | 48 | 100 | 112 | HDWM-VMR-48-19/10F | 182 | |
| HDWM-VMR-42-12L | Rack | L-type 800 mm extrusion and A-type RSF 600 mm width, one row | 41 | x | 42 | - | 112 | HDWM-VMR-42-19L | 182 | 1 pc of set 2 |
| HDWM-VMR-45-12L | Rack | | 44 | x | 45 | - | 112 | HDWM-VMR-45-19L | 182 | |
| HDWM-VMR-48-12L | Rack | | 47 | x | 48 | - | 112 | HDWM-VMR-48-19L | 182 | |
| HDWM-VMR-42-12P | Rack | P-type extrusion and A-type RSF 800 mm width, one row | 41 | x | 42 | - | 112 | HDWM-VMR-42-19P | 182 | 1 pc of set 2 |
| HDWM-VMR-45-12P | Rack | | 44 | x | 45 | - | 112 | HDWM-VMR-45-19P | 182 | |
| HDWM-VMR-48-12P | Rack | | 47 | x | 48 | - | 112 | HDWM-VMR-48-19P | 182 | |
| HDWM-VMF-42-15/20F | Open frame | Front ¹ | 41 | x | 42 | 200 | 151 | HDWM-VMF-42-22/20F | 221 | 1 pc of set 3 |
| HDWM-VMF-45-15/20F | Open frame | Front ¹ | 44 | x | 45 | 200 | 151 | HDWM-VMF-45-22/20F | 221 | |
| HDWM-VMF-47-15/20F | Open frame | Front ¹ | 46 | x | 47 | 200 | 151 | HDWM-VMF-47-22/20F | 221 | |
| HDWM-VMF-42-25/20F | Open frame | Front ¹ | 41 | x | 42 | 200 | 251 | HDWM-VMF-42-32/20F | 321 | |
| HDWM-VMF-45-25/20F | Open frame | Front ¹ | 44 | x | 45 | 200 | 251 | HDWM-VMF-45-32/20F | 321 | |
| HDWM-VMF-47-25/20F | Open frame | Front ¹ | 46 | x | 47 | 200 | 251 | HDWM-VMF-47-32/20F | 321 | |
| HDWM-VMF-42-25/30F | Open frame | Front ¹ | 41 | x | 42 | 300 | 251 | HDWM-VMF-42-32/30F | 321 | |
| HDWM-VMF-45-25/30F | Open frame | Front ¹ | 44 | x | 45 | 300 | 251 | HDWM-VMF-45-32/30F | 321 | |
| HDWM-VMF-47-25/30F | Open frame | Front ¹ | 46 | x | 47 | 300 | 251 | HDWM-VMF-47-32/30F | 321 | |

¹ For front/rear design, simply order respective front managers and install them easily at the installation site with enclosed hardware (standard). Both the standard and longer versions may be combined as well.

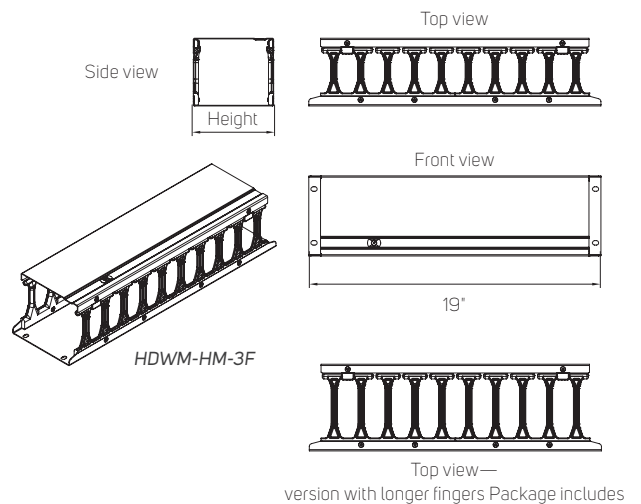
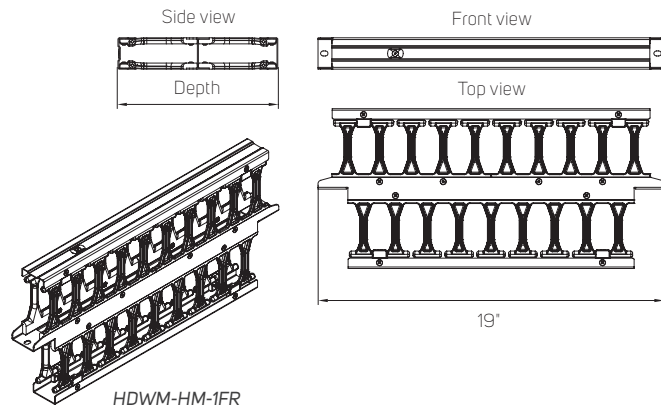
Horizontal high density wire managers



Front/rear design



Front only design



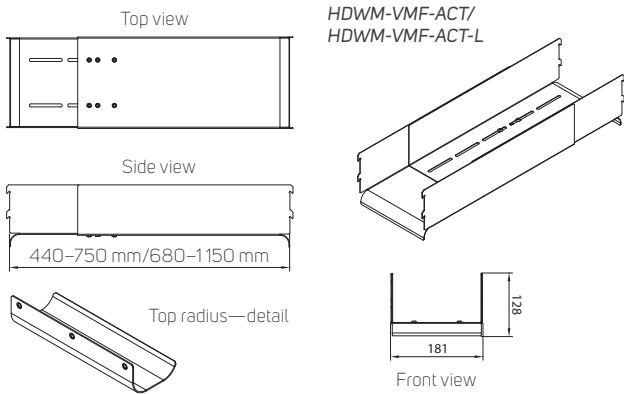
Package includes:

- HDWM manager, 1x DP-MO-01

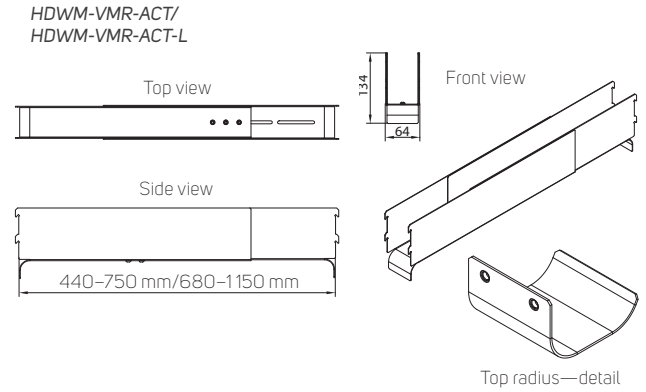
| Code | Installation | Type | No. of fingers | | Dimensions | | | Extended version with longer fingers | | Package |
|--------------|-----------------|-------------------|----------------|------|------------|--------|--------|--------------------------------------|--------|---------|
| | | | Front | Rear | H (in U) | W (mm) | D (mm) | Code | D (mm) | |
| HDWM-HM-1F | Open frame/rack | Front | 10 | – | 1 | 19" | 112 | HDWM-HML-1F | 182 | 1 pc |
| HDWM-HM-1FR | Open frame/rack | Front/rear | 10 | 9 | 1 | 19" | 223 | HDWM-HML-1FR | 363 | 1 pc |
| HDWM-HM-2F | Open frame/rack | Front | 10 | – | 2 | 19" | 112 | HDWM-HML-2F | 182 | 1 pc |
| HDWM-HM-2FR | Open frame/rack | Front/rear | 10 | 9 | 2 | 19" | 223 | HDWM-HML-2FR | 363 | 1 pc |
| HDWM-HM-2FRB | Open frame/rack | Front/rear, brush | 10 | 9 | 2 | 19" | 223 | HDWM-HML-2FRB | 363 | 1 pc |
| HDWM-HM-3F | Open frame/rack | Front | 10 | – | 3 | 19" | 112 | HDWM-HML-3F | 182 | 1 pc |
| HDWM-HM-3FR | Open frame/rack | Front/rear | 10 | 9 | 3 | 19" | 223 | HDWM-HML-3FR | 363 | 1 pc |
| HDWM-HM-3FRB | Open frame/rack | Front/rear, brush | 10 | 9 | 3 | 19" | 223 | HDWM-HML-3FRB | 363 | 1 pc |

Adjustable cable trough for vertical HDWM

RSG open frame installation



Rack installation



Package includes:

- HDWM-VMX-ACT-X: 1x duct, 2x radius control, 4x screws M5

ACCESSORIES FOR HIGH DENSITY WIRE MANAGERS

| Code | Description | Package |
|-------------------|--|---------|
| HDWM-VMR-19 | Bracket for attachment of HDWM-VMR-XX-XX/XXF to 19" profiles (not required for RDF/RSF) | 1 set |
| HDWM-VMR-ACT | Adjustable cable trough - for front-to-rear cable management between front and rear mounted VMR, top radius included, range 440 to 750 mm* | 1 set |
| HDWM-VMF-ACT | Adjustable cable trough - for front-to-rear cable management between front and rear mounted VMF, top radius included, range 440 to 750 mm | 1 set |
| HDWM-VMR-ACT-L | Adjustable cable trough - Long - for front-to-rear cable management between front and rear mounted VMR, top radius included, range 680 to 1150 mm* | 1 set |
| HDWM-VMF-ACT-L | Adjustable cable trough - Long - for front-to-rear cable management between front and rear mounted VMF, top radius included, range 680 to 1150 mm | 1 set |
| HDWM-VMF-B15 | Bracket for attachment of HDWM-VMF-XX-15/XXF to back of open frame (not required for RSG) | 2 pcs |
| HDWM-VMF-B25 | Bracket for attachment of HDWM-VMF-XX-25/XXFR to back of open frame (not required for RSG) | 2 pcs |
| HDWM-VMF-BLANK-42 | Blank panel kit to close ACT holes for 42U VMF range of wire managers | 3 pcs |
| HDWM-VMF-BLANK-45 | Blank panel kit to close ACT holes for 45/47U VMF range of wire managers | 3 pcs |
| HDWM-FSS-50 | Fiber storage spools, 50 mm deep, including mounting hardware | 1 pair |
| HDWM-FSS-100 | Fiber storage spools, 100 mm deep, including mounting hardware | 1 pair |
| HDWM-VCT | Velcro cable ties, 25x300 mm, black | 10 pcs |
| HDWM-VCT-B | Velcro cable belt, 13x5000 mm, black | 1 pc |
| HDWM-VCT-B-RD | Velcro cable belt, 13x5000 mm, red | 1 pc |
| HDWM-VCT-B-GN | Velcro cable belt, 13x5000 mm, green | 1 pc |
| HDWM-VCT-B-YL | Velcro cable belt, 13x5000 mm, yellow | 1 pc |
| HDWM-VCT-S | Velcro cable ties—small, 13x190 mm, black | 25 pcs |
| HDWM-VCT-S-BU | Velcro cable ties—small, 13x190 mm, blue | 25 pcs |
| HDWM-VCT-S-RD | Velcro cable ties—small, 13x190 mm, red | 25 pcs |
| HDWM-VCT-S-YL | Velcro cable ties—small, 13x190 mm, yellow | 25 pcs |
| HDWM-VCT-S-GN | Velcro cable ties—small, 13x190 mm, green | 25 pcs |

* Not compatible with divided rear extrusions of RSF rack (option U)



HDWM-FSS-50



HDWM-VCT-S

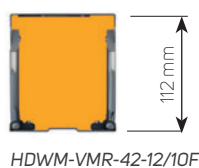
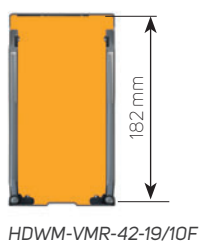


HDWM-VCT-B



HDWM-VCT

Differences between longer and standard version



Opening system right and left side



CONTEG, spol. s r.o.

Na Vitezne plani 1719/4

140 00 Prague 4

Czech Republic

Tel.: +420 565 300 358

conteg@conteg.com

www.conteg.com

CONTEG