

**DATASHEET**  
Premium  
Cabling RDF

**CONTEG**

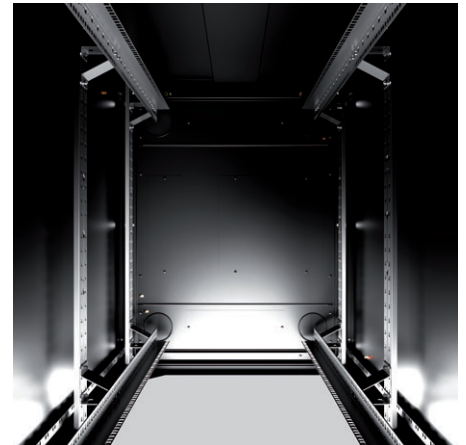
## FREE-STANDING RACKS

# PREMIUM CABLING RDF



RDF-42-80/80

➤ The **PREMIUM Cabling RDF** rack is designed as a pure cabling cabinet for data centers, equipment rooms and network or telecommunication closets. RDF racks installed with advanced cabling systems (such as High Density Wire Management, OptiWay and Top Ducts), provide the best possible support and care.



### MAIN ADVANTAGES

- All-purpose rack designed for cabling applications with load up to 800 kg
- Fully configurable
- Compatible with all cable management systems—OptiWay, High Density Wire Management, Top Ducts

COLOR:  RAL 9005

 RAL 7035

### DESCRIPTION:

#### Sizes

- Height: 42, 45, 48U
  - Width: 800 mm
  - Depth: 800, 1000, 1200 mm
- For detailed information see the Dimensions and Features table

#### Construction

- Welded-frame design
- 1.5 & 2.0 mm sheet steel

#### Load rating

- 800 kg balanced load

#### 19" vertical extrusions

- 2 pairs of sliding 19" extrusions, adjustable from inside

#### IP rating

- Standard IP40
- Optional IP54 (with multipoint lock only)
- IP20 with perforated or vented doors
- A/C ready—IP54 when A/C unit installed with multipoint lock

#### Colors

- Standard RAL 7035 and 9005

#### Front door

- Tinted security glass door
- Swivel handle lock—DIN profile, universal key 333, multipoint; optional combination lock or electronic locks; single or multipoint
- Door opening angle 180°
- Easy re-hanging to open on right or left
- Optional steel, vented, perforated, glass with perforation, vertically divided door

#### Rear door

- Sheet steel door
- Swivel handle lock—DIN profile, universal key 333, multipoint; optional combination lock or electronic locks, single or multipoint
- Can be replaced by a full range of front door and panel options

#### Side panels

- Removable with locks

#### Top plate

- Single-piece design, removable
- 4" (100 mm) rounded cable entry in every corner covered by plastic cap
- 300×100 mm cable entries covered with removable blank sheet steel panels

- 300×50 mm cable entries covered with removable blank sheet steel panels
- 420×280 mm ventilation opening(s) covered with removable blank sheet steel panels allow for installation of 6-fan ventilation unit(s) (800 mm and 1200 mm deep racks only)
- 420×440 mm ventilation opening covered with removable blank sheet steel panels allow for installation of 9-fan ventilation unit (1000 mm deep racks only)

#### Bottom plate

- Segmented design, removable
- 4" (100 mm) rounded cable entry in every corner covered by plastic caps
- 300×100 mm cable entries covered with removable blank sheet steel panels

#### Feet

- Adjustable feet standard; castors, lockable castors, plinth or plinth with filter options

#### Adaptation

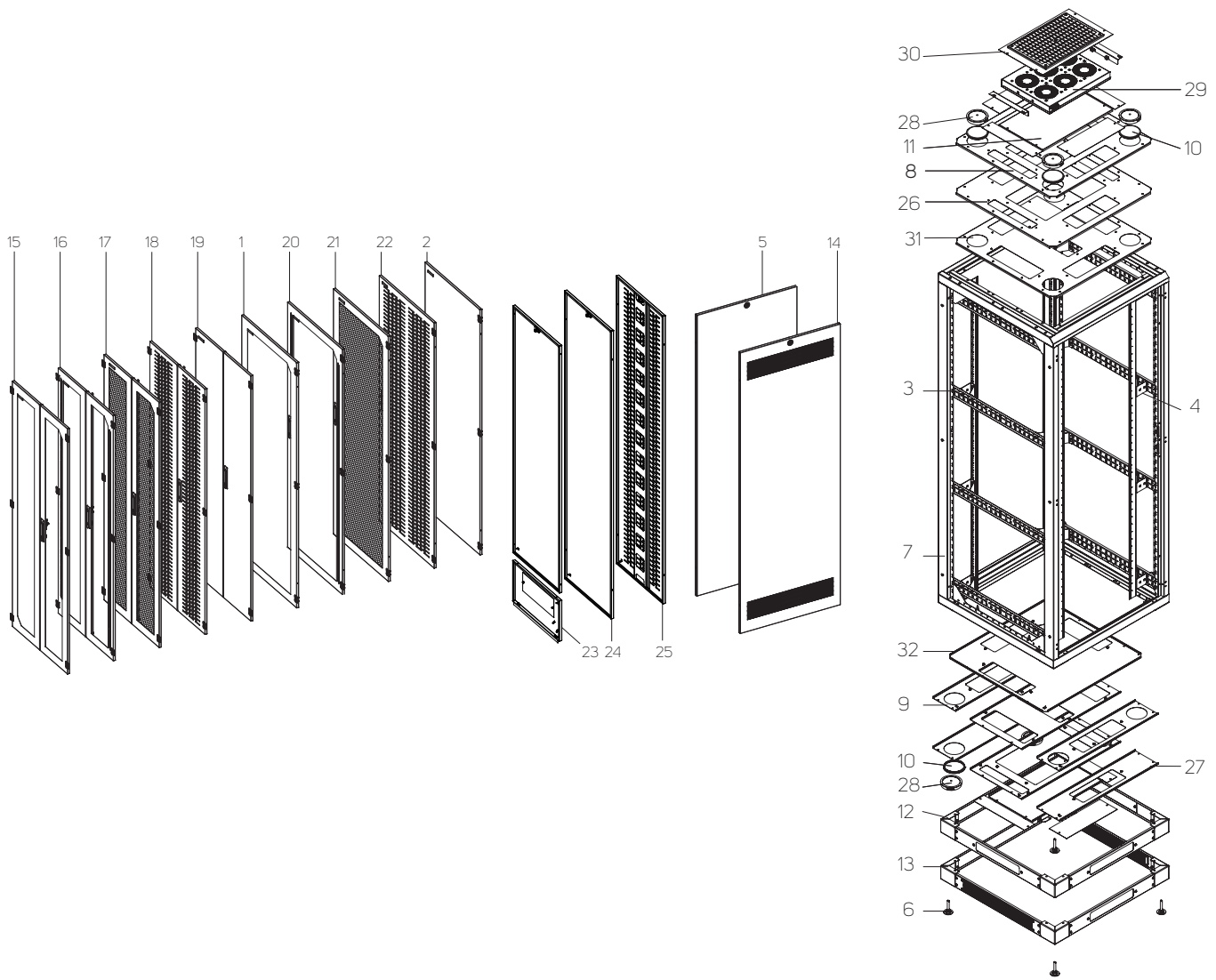
- Adaptable for installation of 21" equipment

#### Other

- Installable in blocks with DP-DR-UNI (ordered separately)
- GND/earthing kit included

Note: All dimensions in mm

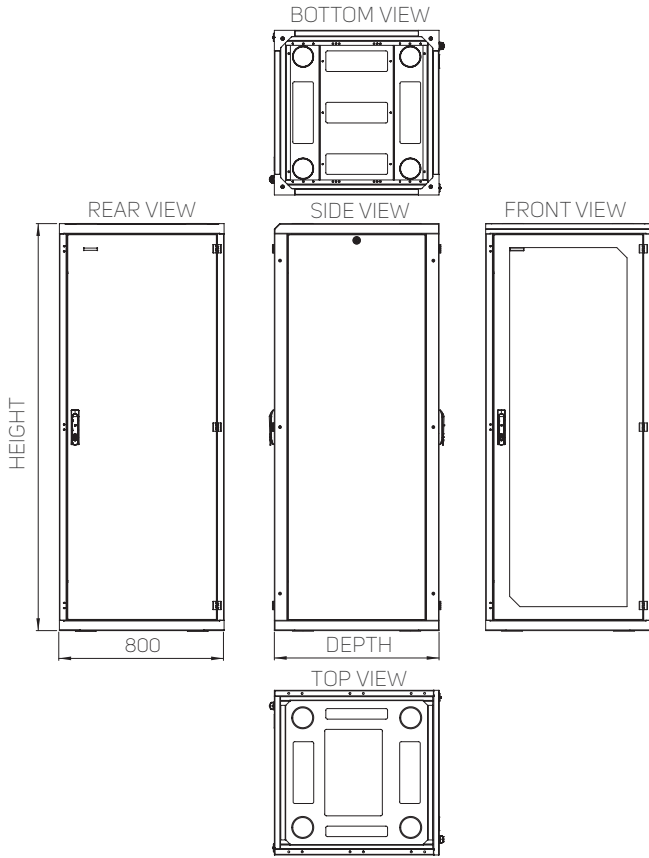
# RDF RACKS



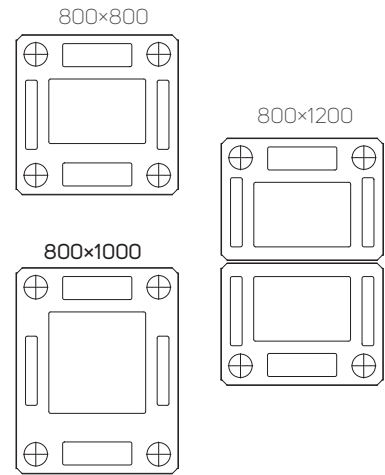
STANDARD CONFIGURATION (short Code only)		OPTIONS	
1	Front glass door with swivel handle lock	13	Plinth with filter
2	Rear sheet steel door with swivel handle lock	15	Vertically divided glass door*
3	2 pairs of 19" sliding extrusions	16	Vertically divided glass door with perforation*
4	Vertical extrusion holders	17	Vertically divided vented door 86%
5	1 pair of side panels with lock	18	Vertically divided perforated sheet steel door*
6	Adjustable feet	19	Vertically divided sheet steel door*
7	Rack frame	20	Glass door with side perforation
8	Removable I-design top plate with cable entry and ventilation openings	21	Vented door 86%
9	Removable segmented bottom plate set (consists of C and F-design plates; may differ for other rack footprints) with cable entry openings	22	Perforated sheet steel door
10	Plastic caps and blank panels for cable entry openings	23	Rear panel with module
11	Blank panel for ventilation opening	24	Rear panel—1 piece
12	Plinth	25	Rear panel—perforated
14	1 pair of side panels with perforation	26	Removable B-design top plate with cable entry and ventilation openings
-	GND/earthing kit	27	Removable segmented bottom plate set (consists of B and G-design plates; may differ for other rack footprints) with cable entry and ventilation openings
-	28 mounting kits	28	Rounded cable grommet with brush
-	BONUS: 2 rounded cable grommets with free DP-KP-RB4 brush	29	Ventilation unit
		30	Connecting kit with filter for ventilation unit
		31	Removable F-design top plate with cable entry and ventilation openings
		32	Removable X-design bottom plate with cable entry openings

\* Requires multipoint lock

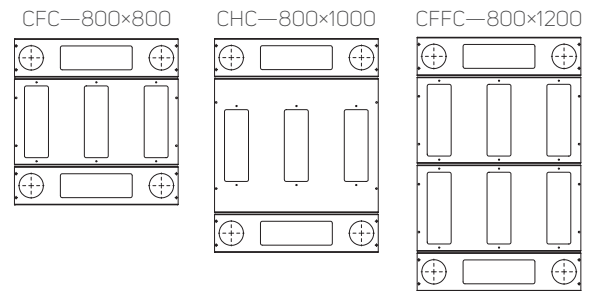
## TECHNICAL DRAWING



### TOP PLATES – I DESIGN



### BOTTOM PLATES



## RDF RACKS—CABLE ENTRIES AND VENTILATION OPENINGS

Rack dimensions (width × depth)	Top plate openings					Bottom plate openings	
	300×100 mm	300×50 mm	4" (Ø 100 mm)	420×280 mm	420×440 mm	300×100 mm	4" (Ø 100 mm)
800×800 mm	2×	2×	4×	1×	–	5×	4×
800×1000 mm	2×	2×	4×	–	1×	5×	4×
800×1200 mm	2×	4×	4×	2×	–	8×	4×

## RDF RACKS—TECHNICAL DATA AND DIMENSIONS

Code	H (in U)	Load rating (kg)	Dimensions (mm)				Dimensions incl. packing (mm)			Gross weight (kg)
			H*	W	D	Useful depth	H	W	D	
RDF-42-80/80	42	800	1978	800	800	731	2160	840	840	134
RDF-45-80/80	45	800	2111	800	800	731	2290	840	840	141
RDF-48-80/80	48	800	2245	800	800	731	2430	840	840	147
RDF-42-80/100	42	800	1978	800	1000	931	2160	840	1040	157
RDF-45-80/100	45	800	2111	800	1000	931	2290	840	1040	165
RDF-48-80/100	48	800	2245	800	1000	931	2430	840	1040	173
RDF-42-80/120	42	800	1978	800	1200	1131	2160	840	1240	175
RDF-45-80/120	45	800	2111	800	1200	1131	2290	840	1240	198
RDF-48-80/120	48	800	2245	800	1200	1131	2430	840	1240	208

\* Height in mm without feet; for feet add 16–45 mm



**ORDERING AND SHIPPING INFORMATION:** Configure the rack that meets your requirements. The ordering matrix below will help you create a Code. As soon as you have the Code, please contact your CONTEG products distributor. Please note that all RDF RACKS ARE DELIVERED FULLY ASSEMBLED and palletized!

## FOLLOW THE STEPS TO SET UP THE DESIRED RDF RACK CODE!

**R D F - 1. - 2. / 3. 4. - 5. 6. 7. 8. 9. - 10. 11. 12. - 13.**

An example of a correct Code:

**R D F - 45 - 80 / 8 0 - A W S W A - A C 5 - H**

1. HEIGHT		
Code	Height (in U)	External height (mm)
42	42	1978
45	45	2111
48	48	2245

2. WIDTH	
Code	Width (mm)
80	800

3. DEPTH		
Code	Depth (mm)	Useful depth (mm)
8	800	731
10	1000	931
12	1200	1131

4. EXTRUSIONS			
Code	Front pair	Rear pair	Note
0	L	L	L-type undivided extrusions

5. FRONT DOOR	
Code	Note
O	Without door <sup>1</sup>
G	Glass door
S	Sheet steel door
P	Perforated sheet steel door <sup>2</sup>
T	Glass door with side perforation <sup>3</sup>
W	Vented door (perforation rate 86%) <sup>2</sup>
A	Vertically divided glass door <sup>4</sup>
B	Vertically divided glass door with side perforation <sup>6</sup>
C	Vertically divided sheet steel door <sup>4</sup>
D	Vertically divided perforated sheet steel door <sup>5</sup>
F	Vertically divided vented door (perforation rate 86%) <sup>2</sup>
	Other

6. FRONT DOOR LOCK	
Code	Options
V	Swivel handle, DIN profile, universal key 333
W	Swivel handle, DIN profile, universal key 333, multipoint
G	Swivel handle with combination lock, individual key
H	Swivel handle with combination lock, individual key, multipoint
1	Electronic door lock with profile half cylinder, cable 4 m
2	Electronic door lock with profile half cylinder and built-in card reader (EM&HID Prox format 125 kHz), 4.5 m cables included
3	Electronic door lock with profile half cylinder, cable 4 m, multipoint
4	Electronic door lock with profile half cylinder and built-in card reader (EM&HID Prox format 125 kHz), 4.5 m cables included, multipoint
	Other

7. REAR DOOR / PANEL	
Code	Note
O	Without panel/door <sup>1</sup>
G	Glass door
S	Sheet steel door
P	Perforated sheet steel door <sup>2</sup>
T	Glass door with side perforation <sup>3</sup>
W	Vented door (perforation rate 86%) <sup>2</sup>
A	Vertically divided glass door <sup>4</sup>
B	Vertically divided glass door with side perforation <sup>6</sup>
C	Vertically divided sheet steel door <sup>4</sup>
D	Vertically divided perforated sheet steel door <sup>5</sup>
F	Vertically divided vented door (perforation rate 86%) <sup>2</sup>
Y	Rear panel – single piece <sup>3,7</sup>
R	Rear panel – divided, with cable entry <sup>7</sup>
Z	Perforated rear panel – single piece <sup>8</sup>
	Other

8. REAR DOOR / PANEL LOCK	
Code	Options
V	Swivel handle, DIN profile, universal key 333
W	Swivel handle, DIN profile, universal key 333, multipoint
G	Swivel handle with combination lock, individual key
H	Swivel handle with combination lock, individual key, multipoint
1	Electronic door lock with profile half cylinder, cable 4 m
2	Electronic door lock with profile half cylinder and built-in card reader (EM&HID Prox format 125 kHz), 4.5 m cables included
3	Electronic door lock with profile half cylinder, cable 4 m, multipoint
4	Electronic door lock with profile half cylinder and built-in card reader (EM&HID Prox format 125 kHz), 4.5 m cables included, multipoint
U	Lock for rear panel, universal key
X	Lock for rear panel, keyed different
	Other

<sup>1</sup>No IP protection

<sup>2</sup>IP20 max.

<sup>3</sup>IP30 max.

<sup>4</sup>Multipoint lock only

<sup>5</sup>Multipoint lock only, IP20 max.

<sup>6</sup>Multipoint lock only, IP30 max.

<sup>1</sup>No IP protection

<sup>2</sup>IP20 max.

<sup>3</sup>IP30 max.

<sup>4</sup>Multipoint lock only

<sup>5</sup>Multipoint lock only, IP20 max.

<sup>6</sup>Multipoint lock only, IP30 max.

<sup>7</sup>Lock code U or X only

<sup>8</sup>Lock code U or X only, IP20 max.

9. SIDE PANELS (BOTH SIDES)*	
Code	Note
O	No side panels
A	2 side panels, sheet steel, universal key
B	1 side panel, sheet steel, universal key
	Other

\* Open side / sides result in no IP protection; side panels with perforation result in max. IP20 protection rating.

10. IP RATING <sup>1</sup>	
Code	Note
0	IP00
2	IP20
3	IP30
4	IP40
5	IP54 <sup>3</sup>
A	A/C ready <sup>2</sup>

<sup>1</sup>According to EN 60 529

<sup>2</sup>Ready for A/C unit installation; recommended when cooling planned or required; IP54 when A/C unit installed according to instructions

<sup>3</sup>Multipoint lock only

11. PLATES <sup>1</sup>			
Code	Top Plate	Bottom plate	Note
A	P	X	Top and bottom single piece plates required for IP54
C	no top	X	Open top – for A/C-ready option (table 10)
H	I	XXX/XXXX <sup>2</sup>	Standard – one piece top plate, segmented bottom plate
I	I	no bottom <sup>3</sup>	Open bottom – ready for installation on raised floor or plinth
X	no top <sup>3</sup>	no bottom <sup>3</sup>	Open top and bottom, for individual plates go to page 21

<sup>1</sup>For more information on plates, see catalogue's page 21

<sup>2</sup>800×800: CFC, 800×1000: CHC, 800×1200: CFFC

<sup>3</sup>Open top or bottom results in no IP protection, unless otherwise stated

12. LOAD RATING		
Code	Load rate (kg)	Note
5	800	Balanced load

13. COLOR	
Code	Note
B	RAL 7035 (light gray)
H	RAL 9005 (black)



Configure IT rack on-line [www.conteg.com/configurators](http://www.conteg.com/configurators)



**CONTEG, spol. s r.o.**

**Headquarters:**

Na Vitezne plani 1719/4  
140 00 Prague 4  
Czech Republic

**Production plant:**

K Silu 2179  
393 01 Pelhrimov  
Czech Republic

Tel.: +420 565 300 362

[conteg@conteg.com](mailto:conteg@conteg.com)

[www.conteg.com](http://www.conteg.com)

**CONTEG**